

Code•Master™ Jr. LED Factory Sealed Luminaires

Explosionproof, Dust-Ignitionproof

Hazardous Locations. For use with threaded metal conduit.

NEC/CEC: Class I, Division 1, Groups B, C, D ^① | Class II, Division 1, Groups E, F, G | Class III | Zone 1, Ex db IIB + H₂ | NEMA 3R, 4X | Suitable for use in Wet Locations | Marine Outside Type (Salt Water) | Suitable for use in Paint Spray Booths

Applications

- For use in chemical and petrochemical plants, such as manufacturers of plastics, paints and thinners, in refineries, and in other areas where ignitable vapors, dust, moisture and corrosive elements may be present.
- Suitable for outdoor saltwater locations and for other wet locations.
- Typical applications include:
 - Chemical
 - Oil, Gas, and Petrochemical
 - Pulp and Paper
 - Foundries
 - Manufacturing
 - Waste and sewage treatment
 - Pharmaceutical
 - Mining
 - Power Generation
 - Paint Spray Booths
 - Hydrogen and Biofuels plants
 - LNG (Liquid Natural Gas) plants

Features

- Fixtures operate safely in high ambient temperatures:
 - 40 °C to +55 °C (-40 °F to +131 °F) for CJLL1 and CJLL2;
 - 40 °C to +40 °C (-40 °F to +104 °F) for CJLL3.

Nominal Lumens	Incandescent		Model
	Equivalent	HID Equivalent	
1,600	100W	50W	CJLL1
3,000	300W	70-100W	CJLL2
5,150	—	100-150W	CJLL3

- Acme double-lead threads speed installation of fixture into the mounting hood to make electrical connection.
- The only wiring required is attaching two wires to connection block in mounting hood. Also allows safe, easy servicing without disconnecting any wires.
- Heat and impact-resistant globes have smooth dust-resistant exterior.
- Optional guards protect globes from damage. Secured to fixture with three stainless steel screws.
- Choice of mountings: pendant, ceiling, bracket and stanchion.
- Fiberglass-reinforced polyester reflectors, in standard dome or 30° angle styles, are ideal in installations where luminaire is subject to exceptionally severe corrosive atmospheres.
- All threaded joints are flame-tight.
- Universal, high efficient drivers cover voltage requirements for 120-277 Vac, 50/60 Hz, 100 – 300 Vdc for CJLL1 and CJLL2; 120-277 Vac, 50/60 Hz, 125 – 300 Vdc for CJLL3; 347-480 Vac, 50/60 Hz for CJLL3.
- 6 kV surge protection.
- Heavy duty, high temperature silicone gaskets.
- Reported L70 is > 55k hours.
- 5 year standard warranty.

Options

- Aluminum guard available, purchase separately



Standard Materials

- Fixture housing, mounting hoods and guards: copperfree (4/10 of 1% max.) aluminum
- Globes: prismatic glass
- Reflectors: fiberglass reinforced polyester
- Gaskets: silicone

Standard Finishes

- Fixture housing, guards and mounting hoods: epoxy power coat finish, electrostatically applied for complete, uniform corrosion protection

NEC/CEC Certifications and Compliances

- UL Standard: UL1598 (4th Ed.); UL1598A (1st Ed.); UL8750 (2nd Ed.); UL 844 (13th Ed.)
- CSA Standard: CSA C22.2 No. 250.0-08; CSA C22.2 No. 137-18; CSA C22.2 No. 60079-0; and CSA C22.2 No 60079-1
- UL Listed: E10444

Design Lights™ Consortium

- Check DLC QPL for current list of products

Related Products

- Code•Master LED Factory Sealed Luminaires
- A-51 LED Factory Sealed Luminaires

^① For Group B applications, a Group B rated mounting hood must be used.

Code•Master™ Jr. LED Factory Sealed Luminaires

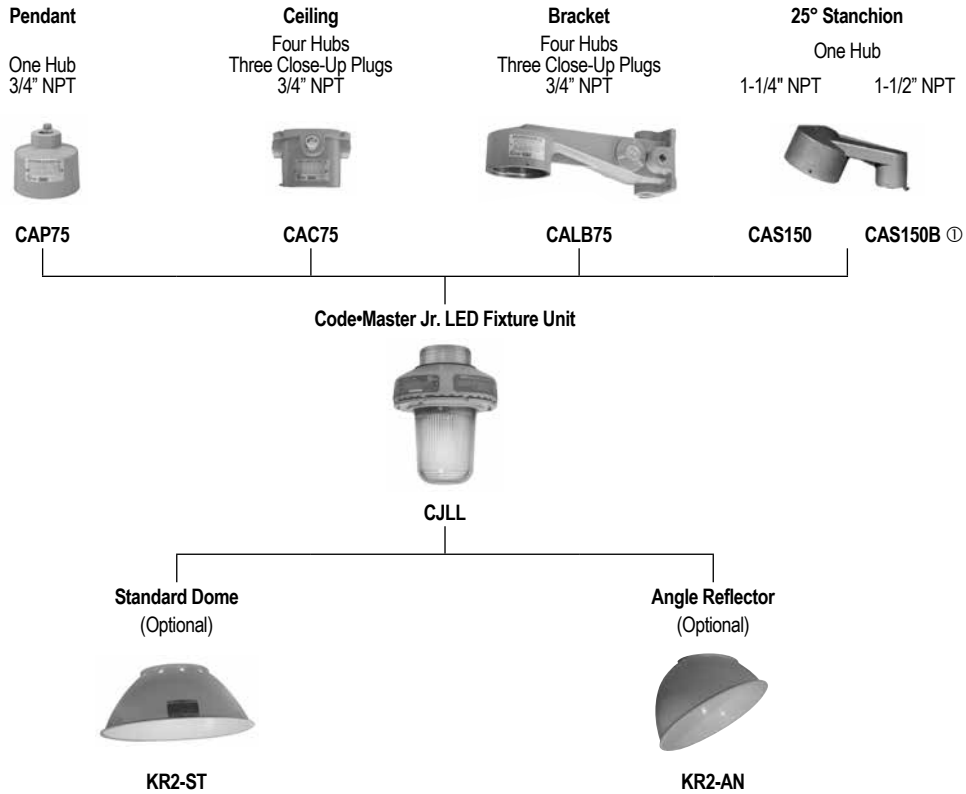
Explosionproof, Dust-Ignitionproof

Hazardous Locations. For use with threaded metal conduit.

NEC/CEC: Class I, Division 1, Groups B, C, D ① | Class II, Division 1, Groups E, F, G | Class III | Zone 1, Ex db IIB + H₂ | NEMA 3R, 4X | Suitable for use in Wet Locations | Marine Outside Type (Salt Water) | Suitable for use in Paint Spray Booths

LED Luminaires | Area / Task | Hazardous Location — Explosionproof | NEC / CEC

Code•Master™ Jr. LED Factory Sealed Luminaires Family Tree



① When using the 25° Stanchion mounting hood in group B applications part number CAS-150B must be used.

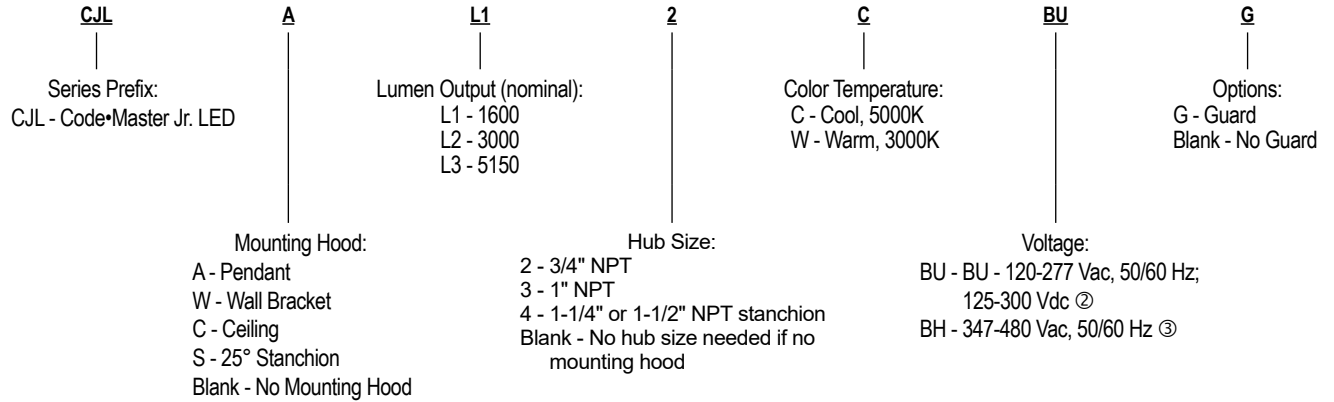
Code•Master™ Jr. LED Factory Sealed Luminaires

Explosionproof, Dust-Ignitionproof

Hazardous Locations. For use with threaded metal conduit.

NEC/CEC: Class I, Division 1, Groups B, C, D ① | Class II, Division 1, Groups E, F, G | Class III | Zone 1, Ex db IIB + H₂ | NEMA 3R, 4X | Suitable for use in Wet Locations | Marine Outside Type (Salt Water) | Suitable for use in Paint Spray Booths

Order Using Catalog Numbering Guide — Code•Master™ Jr. LED Factory Sealed Luminaires



Lumen Output (Efficacy) ④

Model	HID Equivalency	Incandescent Equivalency	Voltage	Light Distribution Pattern	CCT (Correlated Color Temperature)	CRI (Color Rendering Index)	Lumen Output	Efficacy (lm/W)	CCT	CRI	Lumen Output	Efficacy (lm/W)
CJL*L1	50W	100W	120-277 Vac	Type V	3000K	80	1500	115	5000K	70	1600	123
CJL*L2	70-100W	300W	120-277 Vac	Type V	3000K	80	2900	112	5000K	70	3000	115
CJL*L3	100-150W	—	120-277 Vac	Type V	3000K	80	5100	106	5000K	70	5150	107
CJL*L3	100-150W	—	347-480 Vac	Type V	3000K	80	5100	104	5000K	70	5150	105

① For Group B applications, a Group B rated mounting hood must be used.

② Only for L1 and L2 models, 125–300 Vdc for L3 model.

③ Only for L3 models.

④ All lumen values are typical (tolerance +/-10%).

Code•Master™ Jr. LED Factory Sealed Luminaires

Explosionproof, Dust-Ignitionproof

Hazardous Locations. For use with threaded metal conduit.

NEC/CEC: Class I, Division 1, Groups B, C, D Ⓢ | Class II, Division 1, Groups E, F, G | Class III | Zone 1, Ex db IIB + H₂ | NEMA 3R, 4X | Suitable for use in Wet Locations | Marine Outside Type (Salt Water) | Suitable for use in Paint Spray Booths

LED Luminaires | Area / Task | Hazardous Location — Explosionproof | NEC / CEC

Electrical Specifications Ⓢ

Model	Voltage	Input Power (Watts)	Input Current (Amps)	Power Factor (PF)	Total Harmonic Distortion (THD)
CJLL1	120 Vac	13	0.11	>.9	<20%
	277 Vac	14	0.05	>.9	<20%
	100 Vdc	13	0.13	N/A	<20%
	300 Vdc	14	0.05	N/A	<20%
CJLL2	120 Vac	26	0.22	>.9	<20%
	277 Vac	27	0.10	>.9	<20%
	100 Vdc	26	0.26	N/A	<20%
	300 Vdc	27	0.09	N/A	<20%
CJLL3	120 Vac	48	0.40	>.9	<20%
	277 Vac	47	0.18	>.9	<20%
	125 Vdc	48	0.38	N/A	<20%
	300 Vdc	47	0.16	N/A	<20%
	347 Vdc	49	0.15	>.9	<20%
	480 Vdc	49	0.11	>.9	<20%

NEC/CEC Temperature Codes

Model	Ambient Temperature °C (°F)	Use Wire Supply °C (°F)	Class I, Division 1, Groups B, C and D	Class II, Division 1, Groups E, F and G
CJLL1	+40 (+104)	+90 (+194)	T6	T6
	+55 (+131)			
CJLL2	+40 (+104)	+90 (+194)	T6	T6
	+55 (+131)			
CJLL3	+40 (+104)	+90 (+194)	T6	T6

“T” Numbers Represent the Maximum Surface Temperature for Class I, Division 1 locations and Maximum Surface Temperature Under Dust Blanket for Class II, Division 1 Locations. Ⓢ④

“T” #	T1	350	325	T2	T2A	T2B	T2C	T2D	T3	T3A	T3B	T3C	T4	T4A	T5	T6
Temp. Range °C (°F)	+351 to +450 (+664 to +842)	+326 to +350 (+619 to +662)	+301 to +325 (+574 to +617)	+281 to +300 (+538 to +572)	+261 to +280 (+502 to +536)	+231 to +260 (+448 to +500)	+216 to +230 (+421 to +446)	+201 to +215 (+394 to +419)	+181 to +200 (+358 to +392)	+166 to +180 (+331 to +356)	+161 to +165 (+329)	+136 to +160 (+277 to +320)	+121 to +135 (+250 to +275)	+101 to +120 (+214 to +248)	+86 to +100 (+187 to +212)	+85 (+185)

NOTE: The maximum operating temperature of the fixture must not exceed the ignition temperature of the gas, vapor or dust to be encountered per the National Electrical Code and the Canadian Electrical Code.

① For Group B applications, a Group B rated mounting hood must be used.

② All values are typical (tolerance +/-10%).

③ T numbers represent the maximum internal temperature for Class I, Division 2 and Class I, Zone 2 locations designated by the NEC.

④ T numbers represent the maximum surface temperature under a dust blanket for Class II, Division 1 as designated by the NEC.


Code•Master™ Jr. LED Factory Sealed Luminaires

Explosionproof, Dust-Ignitionproof





Hazardous Locations. For use with threaded metal conduit.

NEC/CEC: Class I, Division 1, Groups B, C, D ① | Class II, Division 1, Groups E, F, G | Class III | Zone 1, Ex db IIB + H₂ | NEMA 3R, 4X | Suitable for use in Wet Locations | Marine Outside Type (Salt Water) | Suitable for use in Paint Spray Booths

Catalog Number for Driver Housing and Globe

	Lumen Level	CCT	CRI	Optics	Voltage	Weight in kg (lb)	Catalog Number ②③④⑤
	1600	5000K	70	Type V	120-277 Vac, 50/60 Hz; 100-300 Vdc	5.2 (11.5)	CJLL1CBU
	3000	5000K	70	Type V	120-277 Vac, 50/60 Hz; 100-300 Vdc	5.2 (11.5)	CJLL2CBU
	5150	5000K	70	Type V	120-277 Vac, 50/60 Hz; 125-300 Vdc	5.5 (12.0)	CJLL3CBU
	5150	5000K	70	Type V	347-480 Vac, 50/60 Hz	5.5 (12.0)	CJLL3CBH
	1500	3000K	80	Type V	120-277 Vac, 50/60 Hz; 100-300 Vdc	5.2 (11.5)	CJLL1WBU
	2900	3000K	80	Type V	120-277 Vac, 50/60 Hz; 100-300 Vdc	5.2 (11.5)	CJLL2WBU
	5100	3000K	80	Type V	120-277 Vac, 50/60 Hz; 125-300 Vdc	5.5 (12.0)	CJLL3WBU
	5100	3000K	80	Type V	347-480 Vac, 50/60 Hz	5.5 (12.0)	CJLL3WBH

Mounting Hoods

	Hub Size (Inches)	Certified for Class I, Division 1 and 2, Groups	Weight in kg (lb)	Catalog Number
Pendant — One Hub, Rigid Conduit				
	3/4" NPT	B, C, D	0.9 (1.98)	CAP-75
	1" NPT	B, C, D	0.9 (1.98)	CAP-100
Ceiling — Four Hubs, Three Close-Up Plugs, Rigid Conduit				
	3/4" NPT	B, C, D	1.8 (3.97)	CAC-75
	1" NPT	B, C, D	1.8 (3.97)	CAC-100
Bracket, Four Hubs, Three Close-Up Plugs, Rigid Conduit				
	3/4" NPT	B, C, D	2.7 (5.95)	CALB-75
	1" NPT	B, C, D	2.7 (5.95)	CALB-100
25° Stanchion — One Hub				
	1-1/4" or 1-1/2" NPT	C, D	0.9 (1.98)	CAS-150 ⑥
	1-1/4" or 1-1/2" NPT	B, C, D	0.9 (1.98)	CAS-150B ⑦

① For Group B applications, a Group B rated mounting hood must be used.

② For other lumen options, change the 4th and 5th digits in the part number. from L1 (1600 lumen) to L2 for 3000 or L3 for 5150 lumens. Example: For 3000 lumens change CJLL1CBU to CJLL2CBU.

③ To change the color temperature from cool 5000K to Warm 3000K, change the 6th digit in part number from "C" to "W". Example: CJLL1CBU to CJLL1WBU.

④ For L1 and L2 models, add suffix **-BU** to catalog number for 120-277 Vac, 50/60 Hz voltage. For L3 models add suffix **-BU** to catalog number for 100-300 Vdc voltage. For L3 models add suffix **-BH** to catalog number for 347-480 Vac, 50/60 Hz voltage.

⑤ For guard, add suffix **-G** to catalog number.

⑥ 1-1/2" Tapped hub furnished with 1-1/2" to 1-1/4" reducer.

⑦ When using the 25° Stanchion mounting hood in group B applications part number CAS-150B must be used.

Code•Master™ Jr. LED Factory Sealed Luminaires





Explosionproof, Dust-Ignitionproof

Hazardous Locations. For use with threaded metal conduit.

NEC/CEC: Class I, Division 1, Groups B, C, D Ⓢ | Class II, Division 1, Groups E, F, G | Class III | Zone 1, Ex db IIB + H₂ | NEMA 3R, 4X | Suitable for use in Wet Locations | Marine Outside Type (Salt Water) | Suitable for use in Paint Spray Booths

LED Luminaires | Area / Task | Hazardous Location — Explosionproof | NEC / CEC

Accessories and Replacement Parts

	Description	Weight in kg (lb)	Catalog Number
Reflector			
	Standard Dome — White Polyester	1.1 (2.43)	KR2ST
	Angled Reflector — White Polyester	1.1 (2.43)	KR2AN
Guard			
	Aluminum	0.2 (0.44)	CJGU15
Connection Block for Mounting Hoods			
		0.2 (0.44)	VPT7

① For Group B applications, a Group B rated mounting hood must be used.

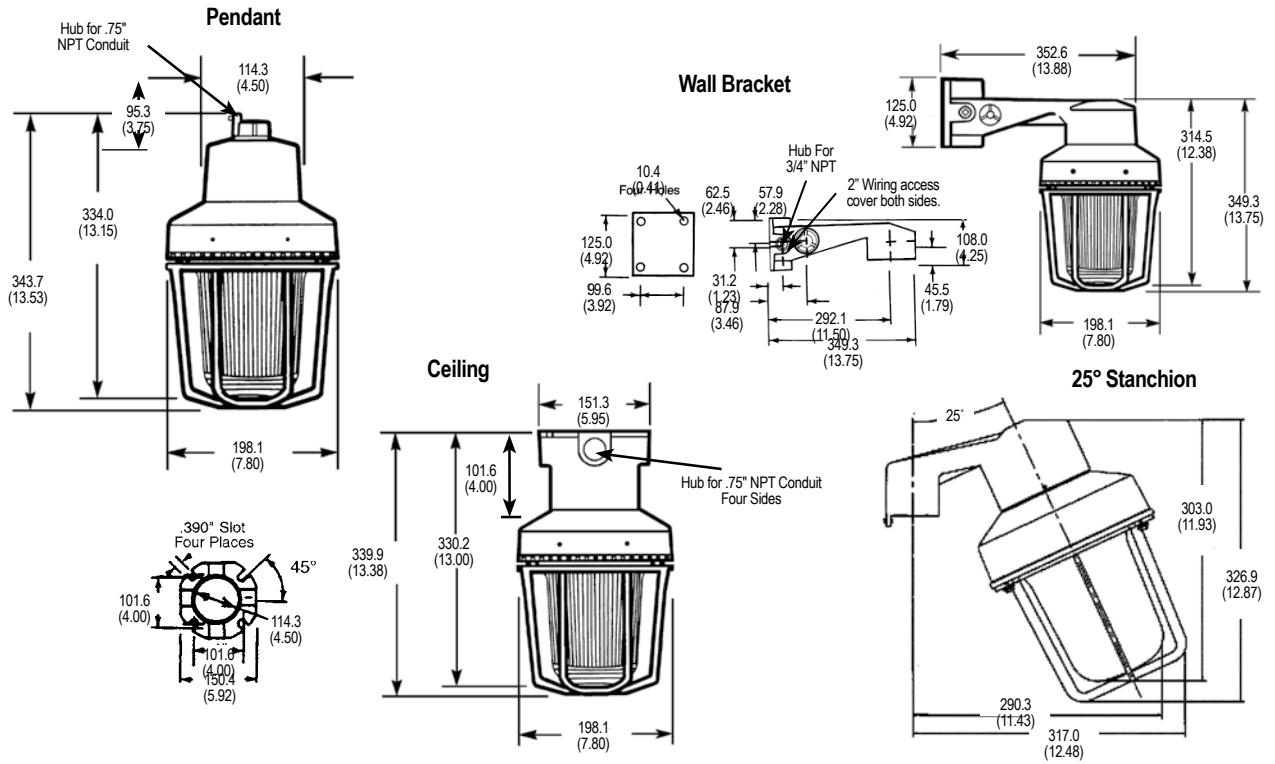
Code•Master™ Jr. LED Factory Sealed Luminaires

Explosionproof, Dust-Ignitionproof

Hazardous Locations. For use with threaded metal conduit.

NEC/CEC: Class I, Division 1, Groups B, C, D Ⓢ | Class II, Division 1, Groups E, F, G | Class III | Zone 1, Ex db IIB + H₂ | NEMA 3R, 4X | Suitable for use in Wet Locations | Marine Outside Type (Salt Water) | Suitable for use in Paint Spray Booths

Dimensions in Millimeters (Inches)



Ⓢ For Group B applications, a Group B rated mounting hood must be used.

Code•Master™ Jr. LED Factory Sealed Luminaires

Explosionproof, Dust-Ignitionproof

Hazardous Locations. For use with threaded metal conduit.

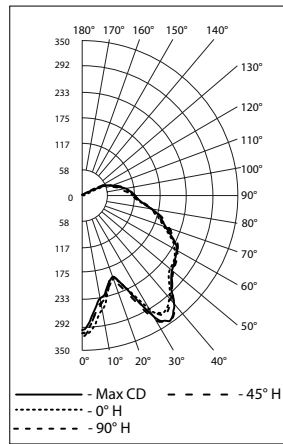
NEC/CEC: Class I, Division 1, Groups B, C, D Ⓢ | Class II, Division 1, Groups E, F, G | Class III | Zone 1, Ex db IIB + H₂ | NEMA 3R, 4X | Suitable for use in Wet Locations | Marine Outside Type (Salt Water) | Suitable for use in Paint Spray Booths

LED Luminaires | Area / Task | Hazardous Location — Explosionproof | NEC / CEC

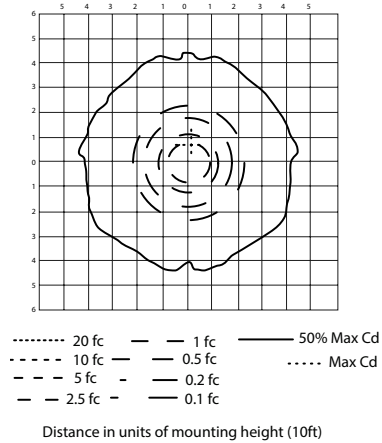
Photometric Data — DATA SHOWN IS ABSOLUTE

Prismatic Glass, 5000K CCT
REPORT NUMBER: CJLAL12CBU
Luminaire Lumens 1,600

POLAR CANDELA DISTRIBUTION



ISOFOOT CANDLE PLOT



ZONAL LUMEN SUMMARY

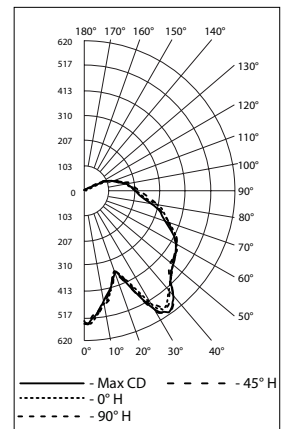
Zone	Lumens	% Luminaire
0-30	201.0	12.4%
0-40	403.5	24.8%
0-60	852.6	52.4%
60-90	552.9	34%
70-100	440.0	27%
90-120	217.0	13.3%
0-90	1405.5	86.4%
90-180	221.4	13.6%
0-180	1626.9	100%

LUMENS PER ZONE

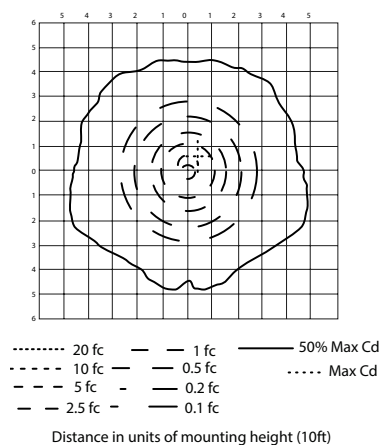
Zone	Lumens	% Total	Zone	Lumens	% Total
0-10	25.1	1.5%	90-100	109.8	6.8%
10-20	61.3	3.8%	100-110	81.6	5%
20-30	114.6	7.0%	110-120	25.6	1.6%
30-40	202.5	12.4%	120-130	2.2	0.1%
40-50	220.7	13.6%	130-140	1.5	0.1%
50-60	228.4	14.0%	140-150	0.6	0%
60-70	222.7	13.7%	150-160	0.1	0%
70-80	190.0	11.7%	160-170	0	0%
80-90	140.1	8.6%	170-180	0	0%

Prismatic Glass, 5000K CCT
REPORT NUMBER: CJLAL22CBU
Luminaire Lumens 3,000

POLAR CANDELA DISTRIBUTION



ISOFOOT CANDLE PLOT



ZONAL LUMEN SUMMARY

Zone	Lumens	% Luminaire
0-30	372.8	12.4%
0-40	737.2	24.6%
0-60	1550.7	51.7%
60-90	1022.5	34.1%
70-100	824.7	27.5%
90-120	418.7	14%
0-90	2573.2	85.7%
90-180	427.8	14.3%
0-180	3001.0	100%

LUMENS PER ZONE

Zone	Lumens	% Total	Zone	Lumens	% Total
0-10	47.7	1.6%	90-100	209.5	7%
10-20	115.2	3.8%	100-110	157.4	5.2%
20-30	209.9	7.0%	110-120	51.8	1.7%
30-40	364.4	12.1%	120-130	4.7	0.2%
40-50	398.9	13.3%	130-140	3.1	0.1%
50-60	414.6	13.8%	140-150	1.1	0%
60-70	407.3	13.6%	150-160	0.2	0%
70-80	352.3	11.7%	160-170	0	0%
80-90	262.9	8.8%	170-180	0	0%

① For Group B applications, a Group B rated mounting hood must be used.

Code•Master™ Jr. LED Factory Sealed Luminaires

Explosionproof, Dust-Ignitionproof

Hazardous Locations. For use with threaded metal conduit.

NEC/CEC: Class I, Division 1, Groups B, C, D Ⓢ | Class II, Division 1, Groups E, F, G | Class III | Zone 1, Ex db IIB + H₂ | NEMA 3R, 4X | Suitable for use in Wet Locations | Marine Outside Type (Salt Water) | Suitable for use in Paint Spray Booths

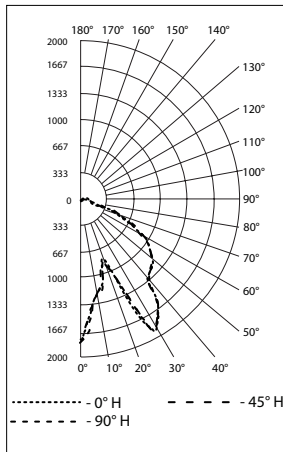
Photometric Data — DATA SHOWN IS ABSOLUTE

Prismatic Glass, 5000K CCT

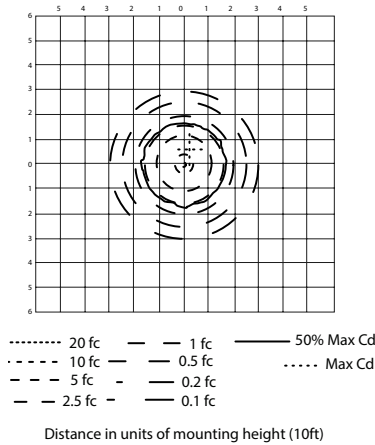
REPORT NUMBER: CJLAL32CBU

Luminaire Lumens 5,150

POLAR CANDELA DISTRIBUTION



ISOFOOT CANDLE PLOT



ZONAL LUMEN SUMMARY

Zone	Lumens	% Luminaire
0-30	1009.5	19.6%
0-40	2057.9	40%
0-60	3955.0	76.9%
60-90	1122.9	21.8%
70-100	410.5	8%
90-120	42.9	0.8%
0-90	5077.9	98.8%
90-180	62.8	1.2%
0-180	5140.7	100%

LUMENS PER ZONE

Zone	Lumens	% Total	Zone	Lumens	% Total
0-10	130.6	2.5%	90-100	17.5	0.3%
10-20	293.1	5.7%	100-110	13.7	0.3%
20-30	585.8	11.4%	110-120	11.7	0.2%
30-40	1048.3	20.4%	120-130	10.2	0.2%
40-50	956.5	18.6%	130-140	6.7	0.1%
50-60	940.6	18.3%	140-150	2.6	0%
60-70	729.9	14.2%	150-160	0.4	0%
70-80	335.5	6.5%	160-170	0	0%
80-90	57.5	1.1%	170-180	0	0%

Ⓢ For Group B applications, a Group B rated mounting hood must be used.