

Industrial Baymaster™ and High Lumen LED Series Luminaires

High Bay

Ordinary Locations

NEC/CEC/NOM: Type 3R, 4, 4X | IP66/67 | Marine Outside Type (Salt Water) for USA ONLY | Wet Locations

IECEE CB: IK08 | IP66

Markings: CE | UKCA

Notable: American Bureau of Shipping (ABS) Certified | 10G Vibration (IBLL and IBHL models only)

Applications

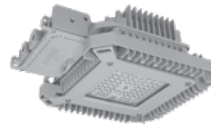
- Powerful, efficient weatherproof lighting for applications such as:
 - Steel Production Plants
 - Power Generation Facilities
 - Foundries
 - Cement, Stone and Sand Plants
 - Pulp and Paper Mills
 - Ship Building and Shipping Ports
 - Hydrogen and Biofuels plants
 - LNG (Liquid Natural Gas) plants
 - Other areas where corrosive, wet, dirty and tough environments are a problem.
- IP66/IP67, Type 4X, marine and wet locations.
- Locations requiring dependable, consistent lighting in extreme hot/cold temperature environments. -40 °C to +65 °C (-40 °F to +149 °F) ambient temperature range. -40 °C to +55 °C (-40 °F to +131 °F) for high lumen IBHLL3 output.

Features

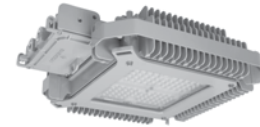
- Six lumen outputs provide up to 38,000 lumens.

Nominal Lumens ①	HID Equivalent	Model Number
9,500	175-250W	IBLL6/ IBLLPL6
15,000	250-400W	IBLL7/ IBLLPL7
19,500	400-750W	IBLL8/ IBLLPL8
24,000	1000W	IBHLL1/ IBHLPL1
30,000	1000-1500W	IBHLL2/ IBHLPL2
38,000	1500W	IBHLL3/ IBHLPL3

- Choice of optics for optimal light distribution in a variety of applications.
- Separate field wiring compartment with screw terminal block for easy and secure connection can accept 0.14 - 6 mm² (26 - 10 AWG) wire (non Quick Mount version only).
- Wiring compartment has two 3/4" NPT entries in bottom and one 3/4" NPT entry on top. Optional M20 metric adapters available. (Three close-up plugs provided when quick mount pendant system is ordered).
- Unique quick mount pendant system allows for easy prewiring without supporting the High Bay in place. Quick mount adapter hood includes one 3/4" NPT entry.
- Alternate mounting system allows for "Y" cable mount and easy wiring via a separate field wiring compartment with a screw terminal block.
- Floodlight mounting achieved by using Areamaster Generation 2 LED yoke bracket.
- Choice of color temperature (CCT): 5000K (70 CRI) cool white, 4000K (80 CRI) neutral white, or 3000K (80 CRI) warm white.
- Reported L70 is > 60,000 hours @ +65°C (+149 °F).
- Rugged and compact housing with superior thermal design translates to long luminaire life.
- Heavy duty, high temperature silicone rubber gaskets.
- Thermal shock and impact resistant clear or frosted glass lens.
- Standard 6 kV/3 kA surge protection. Optional 10 kV/5 kA additional surge protection available.
- Captive fasteners secure one-piece lens.
- Field replaceable LED driver and lens cover.
- Photometric data and electronic drawings available upon request.
- 5 year standard warranty. 10 year limited warranty for select part number configurations.



IBLL — Clear Lens



IBHL — Frosted Lens



IBLLP — Frosted Lens



IBHLP — Clear Lens

Options

- Improved safety cable design with multiple retention points, purchase separately.
- Guard and visor available, *purchase separately*.
- Y mount cable assembly, *purchase separately*.
- Drain assembly, *purchase separately*.
- 10 kV/5 kA Surge Protection.

Standard Materials

- Housing and lens cover: copperfree (4/10 of 1% max.) aluminum
- Gaskets: silicone rubber
- Bolts: stainless steel
- Close up plugs: (2) aluminum provided (Non Quick Mount version)
- Guard and safety cable: stainless steel

Standard Finishes

- Housing, lens cover, quick mount body and hood; baked gray epoxy powder coat finish, electrostatically applied for complete uniform protection

NEC/CEC Certifications and Compliances

- UL Standards: UL1598; UL1598A; UL 8750
- CSA Standards: CSA C22.2 No. 250.0
- cCSAus 164460 Certificate Number: IBLL – 70073607, IBHL – 70073608
- cETLus 104364566CHI
- Vibration Rating: 10G, 10 hours, 3 axis at first mode resonant frequency (IBLL and IBHLL models only)

NOM: Norma Oficial Mexicana

- NOM-003-SCFI-2014 (NMX-J-307-ANCE-2017)
- NOM Certificate: ULM-NOM-09900

IECEE CB Certificates and Compliances

- IEC 60598-1, IEC 60598-2-1
- IECEE CB Certificates: CB 164460-80075818
- Index of Protection according EN/IEC 60529: IP66
- Impact Resistance (shock): IK08
- Photobiological Safety, IEC 62778 and IEC 62471: Risk Group 1 (RG1)

CE and UKCA Marking

- Safety: EN 60598-1, EN 60598-2-1, and EN 60598-2-5
- EMC: EN 61547, 61000-6-2, 61000-6-4, 61000-3-2; CISPR 15

① Nominal lumen value for 5000K, Medium Beam, with clear glass. Detailed lumen information provided in tables.

Industrial Baymaster™ and High Lumen LED Series Luminaires

High Bay

Ordinary Locations

NEC/CEC/NOM: Type 3R, 4, 4X | IP66/67 | Marine Outside Type (Salt Water) for USA ONLY | Wet Locations

IECEE CB: IK08 | IP66

Markings: CE | UKCA

Notable: American Bureau of Shipping (ABS) Certified | 10G Vibration (IBLL and IBHL models only)

ABS Certifications

- IBLL: 18-HS1714277-PDA
- IBHL: 18-HS1714279-PDA

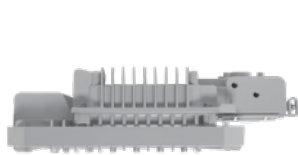
DesignLights™ Consortium

- Check DLC QPL for current list of products.

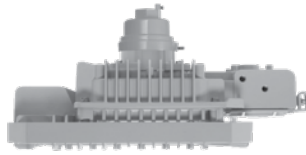
Related Products

- Baymaster and High Lumen LED Luminaires

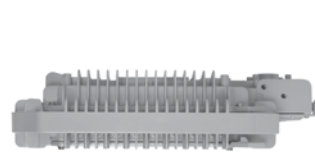
Illustrated Features



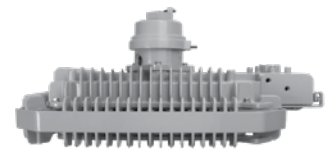
IBLL
9K, 15K, 19K Lumens with standard mounting



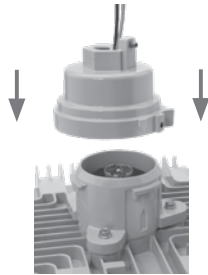
IBLLP
9K, 15K, 19K Lumens with quick mount pendant option



IBHL
24K, 30K, 38K Lumens with standard mounting



IBHLP
24K, 30K, 38K Lumens with quick mount pendant option



Quick Mount Pendant System

The Appleton patented quick mount pendant system allows for easy prewiring of a hood for quick, one person fixture installation. Simply align the arrows, push up, and rotate the luminaire a quarter turn until it locks into place. Specify quick mount pendant with a "P" in the fifth digit of the part number.



Cable Mount Option

The Baymaster High Bay can also be mounted with two Y style aircraft cables with spring clips, secured to eye bolts on the luminaire housing. Non quick mount models can be cable mounted and are wired through the 3/4" NPT entries in the wire box.



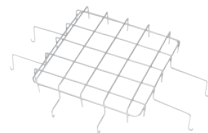
Driver Assembly

Replaceable drivers are waterproof (IP67) and offer standard 6 kV surge protection and over temperature protection.



Optional Fusing *

Luminaire can be ordered with optional fusing. Fusing is not field installable.



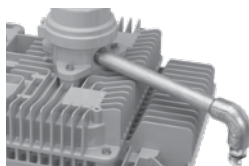
Optional Wire Guard

Stainless steel wire guard can be used for additional protection.



Replaceable Cover Assembly

The replaceable cover assembly is available with clear or frosted glass.



Optional Drain Assembly

Includes 228.6 mm (9" long), 1/2" trade size conduit nipple, elbow and drain.

* Use of fuse voids marine rating.

Industrial Baymaster™ and High Lumen LED Series Luminaires

High Bay

Ordinary Locations

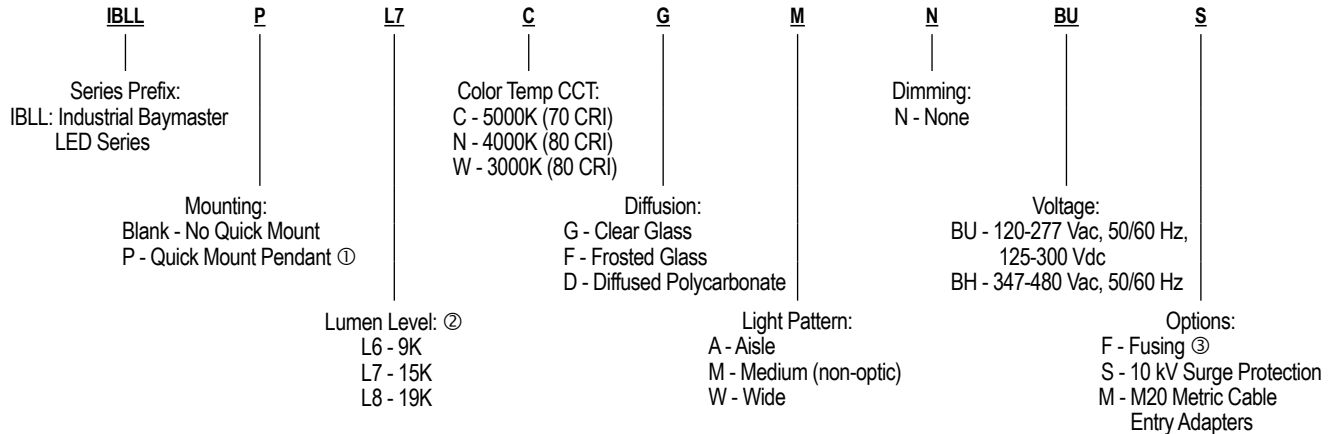
NEC/CEC/NOM: Type 3R, 4, 4X | IP66/67 | Marine Outside Type (Salt Water) for USA ONLY | Wet Locations

IECEE CB: IK08 | IP66

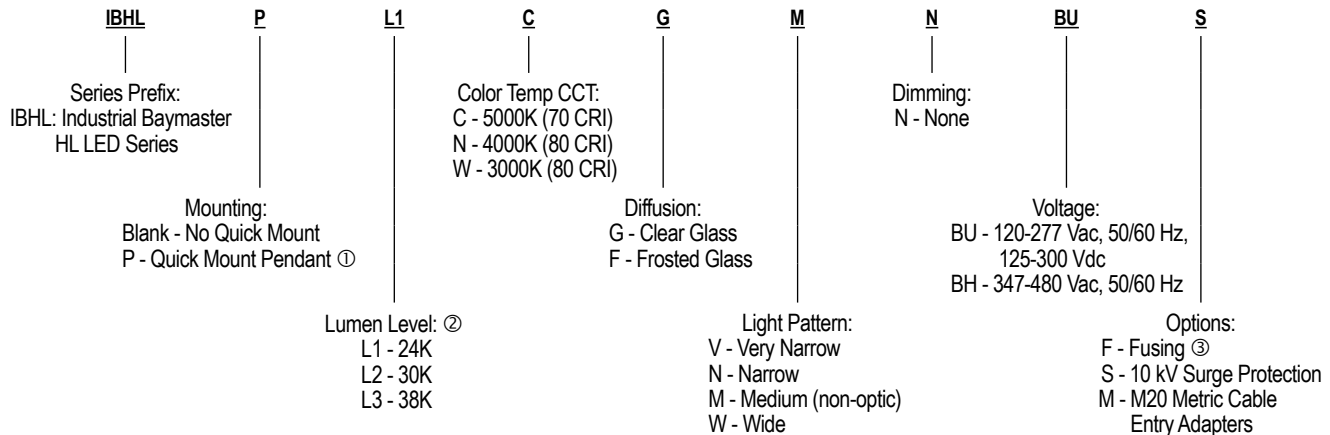
Markings: CE | UKCA

Notable: American Bureau of Shipping (ABS) Certified | 10G Vibration (IBLL and IBHL models only)

Order Using Catalog Numbering Guide — Industrial Baymaster™ LED Series Luminaires — Low Lumen Model



Order Using Catalog Numbering Guide — Industrial Baymaster™ LED Series Luminaires — High Lumen Model



① Quick mount pendant includes pre-wired, factory installed, quick mount pendant body and hood. Models without the quick pendant mount are wired through the 3/4" NPT entries and a provided screw terminal block in the wiring compartment.

② All lumen values are typical (tolerance +/- 10%).

③ Use of fuse voids Marine rating.

Industrial Baymaster™ and High Lumen LED Series Luminaires

High Bay

Ordinary Locations

NEC/CEC/NOM: Type 3R, 4, 4X | IP66/67 | Marine Outside Type (Salt Water) for USA ONLY | Wet Locations

IECEE CB: IK08 | IP66

Markings: CE | UKCA

Notable: American Bureau of Shipping (ABS) Certified | 10G Vibration (IBLL and IBHLL models only)

Lumen Output (Efficacy) — Low Lumen Model ①

Model	HID Equivalency	Light Distribution Pattern	CCT (Correlated Color Temperature)	CRI (Color Rendering Index)	Lumen Output	Efficacy (lm/W)	CCT	CRI	Lumen Output	Efficacy (lm/W)	CCT	CRI	Lumen Output	Efficacy (lm/W)
Clear Glass														
IBLL6	175-250W	Type I Aisle	3000K	80	7,250	104	4000K	80	8,500	121	5000K	70	9,350	134
		Type V	3000K	80	7,650	109	4000K	80	9,000	129	5000K	70	9,900	141
		Type V Wide	3000K	80	6,700	96	4000K	80	7,850	112	5000K	70	8,650	124
IBLL7	250-400W	Type I Aisle	3000K	80	11,050	100	4000K	80	12,900	116	5000K	70	14,250	128
		Type V	3000K	80	11,500	104	4000K	80	13,650	123	5000K	70	15,000	135
		Type V Wide	3000K	80	10,200	92	4000K	80	11,900	107	5000K	70	13,150	118
IBLL8	400-750W	Type I Aisle	3000K	80	14,250	94	4000K	80	16,650	110	5000K	70	18,350	121
		Type V	3000K	80	15,000	99	4000K	80	17,550	115	5000K	70	19,500	128
		Type V Wide	3000K	80	13,150	87	4000K	80	15,350	101	5000K	70	16,900	111
Frosted Glass														
IBLL6	175-250W	Type I Aisle	3000K	80	5,950	85	4000K	80	6,950	99	5000K	70	7,700	110
		Type V	3000K	80	6,400	91	4000K	80	7,500	107	5000K	70	8,300	119
		Type V Wide	3000K	80	5,250	75	4000K	80	6,150	88	5000K	70	6,800	97
IBLL7	250-400W	Type I Aisle	3000K	80	9,100	82	4000K	80	10,600	95	5000K	70	11,700	105
		Type V	3000K	80	9,700	87	4000K	80	11,350	102	5000K	70	12,500	113
		Type V Wide	3000K	80	8,000	72	4000K	80	9,350	84	5000K	70	10,350	93
IBLL8	400-750W	Type I Aisle	3000K	80	11,700	77	4000K	80	13,650	90	5000K	70	15,000	99
		Type V	3000K	80	12,500	82	4000K	80	14,500	95	5000K	70	16,550	109
		Type V Wide	3000K	80	10,300	68	4000K	80	12,000	79	5000K	70	13,250	87
Diffused Polycarbonate														
IBLL6	175-250W	Type I Aisle	3000K	80	5,750	82	4000K	80	6,750	96	5000K	70	7,450	106
		Type V	3000K	80	6,250	89	4000K	80	7,300	104	5000K	70	8,050	115
		Type V Wide	3000K	80	5,150	74	4000K	80	6,000	86	5000K	70	6,650	95
IBLL7	250-400W	Type I Aisle	3000K	80	8,800	79	4000K	80	10,250	92	5000K	70	11,350	102
		Type V	3000K	80	9,450	85	4000K	80	11,000	99	5000K	70	12,200	110
		Type V Wide	3000K	80	7,850	71	4000K	80	9,160	83	5000K	70	10,150	91
IBLL8	400-750W	Type I Aisle	3000K	80	11,350	75	4000K	80	13,250	87	5000K	70	14,650	96
		Type V	3000K	80	12,100	80	4000K	80	14,150	93	5000K	70	15,650	103
		Type V Wide	3000K	80	10,100	66	4000K	80	11,800	78	5000K	70	13,000	86

① All lumen values are typical (tolerance +/-10%).

Industrial Baymaster™ and High Lumen LED Series Luminaires

High Bay

Ordinary Locations

NEC/CEC/NOM: Type 3R, 4, 4X | IP66/67 | Marine Outside Type (Salt Water) for USA ONLY | Wet Locations

IECEE CB: IK08 | IP66

Markings: CE | UKCA

Notable: American Bureau of Shipping (ABS) Certified | 10G Vibration (IBLL and IBHLL models only)

Lumen Output (Efficacy) — High Lumen Model ①

Model	HID Equivalency	Light Distribution Pattern	CCT (Correlated Color Temperature)	CRI (Color Rendering Index)	Lumen Output	Efficacy (lm/W)	CCT	CRI	Lumen Output	Efficacy (lm/W)	CCT	CRI	Lumen Output	Efficacy (lm/W)
Clear Glass														
IBHLL1	1000W	Type V Very Narrow	3000K	80	19,350	109	4000K	80	20,250	114	5000K	70	22,750	128
		Type V Narrow	3000K	80	20,850	117	4000K	80	21,900	123	5000K	70	25,000	140
		Type V	3000K	80	20,100	113	4000K	80	21,300	120	5000K	70	24,250	136
		Type V Wide	3000K	80	17,900	101	4000K	80	18,800	106	5000K	70	21,000	118
IBHLL2	1000-1500W	Type V Very Narrow	3000K	80	23,450	106	4000K	80	24,600	111	5000K	70	27,500	124
		Type V Narrow	3000K	80	25,500	115	4000K	80	26,700	120	5000K	70	30,000	135
		Type V	3000K	80	24,650	111	4000K	80	26,100	118	5000K	70	29,750	134
		Type V Wide	3000K	80	21,800	98	4000K	80	22,850	103	5000K	70	25,650	116
IBHLL3	1500W	Type V Very Narrow	3000K	80	29,500	99	4000K	80	30,950	104	5000K	70	34,750	117
		Type V Narrow	3000K	80	32,000	107	4000K	80	33,600	113	5000K	70	37,500	126
		Type V	3000K	80	31,000	104	4000K	80	32,800	110	5000K	70	37,400	126
		Type V Wide	3000K	80	27,550	92	4000K	80	28,850	97	5000K	70	32,400	109
Frosted Glass														
IBHLL1	1000W	Type V Very Narrow	3000K	80	17,200	97	4000K	80	17,950	101	5000K	70	20,000	112
		Type V Narrow	3000K	80	18,600	104	4000K	80	19,350	109	5000K	70	21,550	121
		Type V	3000K	80	16,850	95	4000K	80	18,000	101	5000K	70	20,500	115
		Type V Wide	3000K	80	14,250	80	4000K	80	14,850	83	5000K	70	16,700	94
IBHLL2	1000-1500W	Type V Very Narrow	3000K	80	21,000	95	4000K	80	21,950	99	5000K	70	24,750	111
		Type V Narrow	3000K	80	22,650	102	4000K	80	23,600	106	5000K	70	26,000	117
		Type V	3000K	80	20,550	93	4000K	80	18,000	81	5000K	70	25,000	113
		Type V Wide	3000K	80	17,350	78	4000K	80	23,600	106	5000K	70	20,350	92
IBHLL3	1500W	Type V Very Narrow	3000K	80	26,400	89	4000K	80	27,500	92	5000K	70	31,000	104
		Type V Narrow	3000K	80	28,600	96	4000K	80	29,750	100	5000K	70	33,500	112
		Type V	3000K	80	26,000	87	4000K	80	27,700	93	5000K	70	31,500	106
		Type V Wide	3000K	80	21,900	73	4000K	80	22,800	77	5000K	70	25,700	86

① All lumen values are typical (tolerance +/-10%).

Industrial Baymaster™ and High Lumen LED Series Luminaires

High Bay

Ordinary Locations

NEC/CEC/NOM: Type 3R, 4, 4X | IP66/67 | Marine Outside Type (Salt Water) for USA ONLY | Wet Locations

IECEE CB: IK08 | IP66

Markings: CE | UKCA

Notable: American Bureau of Shipping (ABS) Certified | 10G Vibration (IBLLL and IBHLL models only)

Electrical Specifications ①

Model	Voltage	Input Power (Watts)	Input Current (Amps)	Power Factor (PF)	Total Harmonic Distortion (THD)
Low Lumen Model					
IBLLL6 IBLLPL6	120 Vac	73	0.62	>.9	<20%
	277 Vac	71	0.27		
	125 Vdc	69	0.55	N/A	N/A
	300 Vdc	68	0.23		
	347 Vac	71	0.21	>.9	<20%
	480 Vac	71	0.16		
IBLLL7 IBLLPL7	120 Vac	111	0.94	>.9	<20%
	277 Vac	106	0.43		
	125 Vdc	113	0.90	N/A	N/A
	300 Vdc	111	0.37		
	347 Vac	115	0.33	>.9	<20%
	480 Vac	115	0.25		
IBLLL8 IBLLPL8	120 Vac	154	1.30	>.9	<20%
	277 Vac	146	0.56		
	125 Vdc	156	1.25	N/A	N/A
	300 Vdc	152	0.51		
	347 Vac	150	0.43	>.9	<20%
	480 Vac	149	0.32		
High Lumen Model					
IBHLL1 IBHLPL1	120 Vac	180	1.52	>.9	<20%
	277 Vac	176	0.67		
	125 Vdc	172	1.38	N/A	N/A
	300 Vdc	170	0.57		
	347 Vac	179	0.52	>.9	<20%
	480 Vac	179	0.39		
IBHLL2 IBHLPL2	120 Vac	231	1.94	>.9	<20%
	277 Vac	231	0.88		
	125 Vdc	220	1.76	N/A	N/A
	300 Vdc	217	0.72		
	347 Vac	219	0.64	>.9	<20%
	480 Vac	219	0.47		
IBHLL3 IBHLPL3	120 Vac	317	2.67	>.9	<20%
	277 Vac	303	1.15		
	125 Vdc	305	2.44	N/A	N/A
	300 Vdc	298	0.99		
	347 Vac	299	0.87	>.9	<20%
	480 Vac	298	0.63		

Note: Surge Protection: Integral 6 kV surge protection. Option for up to 10 kV surge protection.

① All values are typical (tolerance +/-10%).

Industrial Baymaster™ and High Lumen LED Series Luminaires

High Bay

Ordinary Locations


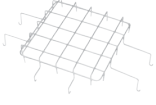





NEC/CEC/NOM: Type 3R, 4, 4X | IP66/67 | Marine Outside Type (Salt Water) for USA ONLY | Wet Locations

IECEE CB: IK08 | IP66

Markings: CE | UKCA

Notable: American Bureau of Shipping (ABS) Certified | 10G Vibration (IBLL and IBHL models only)

Accessories and Replacement Parts

	Description	Weight in kg (lb)	Catalog Number
Quick-Connect Pendant Hood Replacement			
	Baymaster Quick-Connect Pendant Hood Replacement	0.4 (0.9)	BMQCPH
Guard			
	Stainless steel	0.2 (0.4)	LGGUARD LHGUARD
Safety Cable			
	Stainless steel	0.2 (0.4)	LEDSC
Drain			
	228.6 mm (9" long), 1/2" trade size drain assembly for use with quick mount pendant hood	0.5 (1.2)	LEDDR9
Y Mounting Cable			
	1.5 m (5 ft.) cable mount — stainless steel Includes two (5 ft.) Y cables with spring clips and four eye bolts	0.5 (1.2)	LEDC5
Safety Support Hooks			
	3/4 inch Male Hanger Loop 5/8 inch diameter wireway 75.4 kg (166 lbs.) weight rating	0.2 (0.5)	FHLM-75
Replacement Covers/Lenses			
	Clear Glass — IBLL6/IBLLPL6, IBLL7/IBLLPL7, IBLL8/IBLLPL8	2.2 (4.8)	BLLCLEAR
	Frosted Glass — IBLL6/IBLLPL6, IBLL7/IBLLPL7, IBLL8/IBLLPL8	2.0 (4.5)	BLLFROST
	Diffused Polycarbonate — IBLL6/IBLLPL6, IBLL7/IBLLPL7, IBLL8/IBLLPL8	1.6 (3.5)	BLLDIFFP
	Clear Glass — IBHL1/IBHLPL1, IBHL2/IBHLPL2, IBHL3/IBHLPL3	2.4 (5.3)	BHLCLEAR
	Frosted Glass — IBHL1/IBHLPL1, IBHL2/IBHLPL2, IBHL3/IBHLPL3	2.4 (5.3)	BHLFROST

Industrial Baymaster™ and High Lumen LED Series Luminaires

High Bay

Ordinary Locations



NEC/CEC/NOM: Type 3R, 4, 4X | IP66/67 | Marine Outside Type (Salt Water) for USA ONLY | Wet Locations

IECEE CB: IK08 | IP66

Markings: CE | UKCA

Notable: American Bureau of Shipping (ABS) Certified | 10G Vibration (IBLL and IBHL models only)

Replacement Drivers

	Model	Voltage	Driver Wattage	Constant Current Setting	Catalog Number
	IBLL6C/IBLLPL6C, IBLL6N/ IBLLPL6N, IBLL6W/IBLLPL6W	BU	100 Watt	410mA	APMS100C105UD41
		BH			APMS100C105HD41
	IBLL7W/IBLLPL7W	BU	150 Watt	650mA	APMS150C105UD65
		BH			APMS150C105HD65
	IBLL7C/IBLLPL7C, IBLL7N/IBLLPL7N	BU	150 Watt	680mA	APMS150C105UD68
		BH			APMS150C105HD68
	IBLL8W/IBLLPL8W	BU	150 Watt	890mA	APMS150C105UD89
		BH			APMS150C105HD89
	IBLL8C/IBLLPL8C, IBLL8N/IBLLPL8N	BU	150 Watt	930mA	APMS150C105UD93
		BH			APMS150C105HD93
	IBHLL1C/IBHLLPL1C, IBHLL1N/ IBHLLPL1N, IBHLL1W/IBHLLPL1W	BU	100 Watt	530mA	APMS100C105UD53
		BH			APMS100C105HD53
	IBHLL2W/IBHLLPL2W	BU	150 Watt	650mA	APMS150C105UD65
		BH			APMS150C105HD65
	IBHLL2C/IBHLLPL2C, IBHLL2N/IBHLLPL2N	BU	150 Watt	680mA	APMS150C105UD68
		BH			APMS150C105HD68
	IBHLL3W/IBHLLPL3W	BU	150 Watt	890mA	APMS150C105UD89
		BH			APMS150C105HD89
	IBHLL3C/IBHLLPL3C, IBHLL3N/IBHLLPL3N	BU	150 Watt	915mA	APMS150C105UD91
		BH			APMS150C105HD91

Luminaire Weights

Description	Weight in kg (lbs)
Low Lumen Model — IBLL6/IBLLPL6, IBLL7/IBLLPL7, IBLL8/IBLLPL8 Luminaires	9.8 (21.6)
High Lumen Model — IBHLL1/IBHLLPL1, IBHLL2/IBHLLPL2, IBHLL3/IBHLLPL3 Luminaires	16.1 (35.4)

LED Luminaires | High Bay | Ordinary Location | NEC / CEC

Industrial Baymaster™ and High Lumen LED Series Luminaires

High Bay

Ordinary Locations

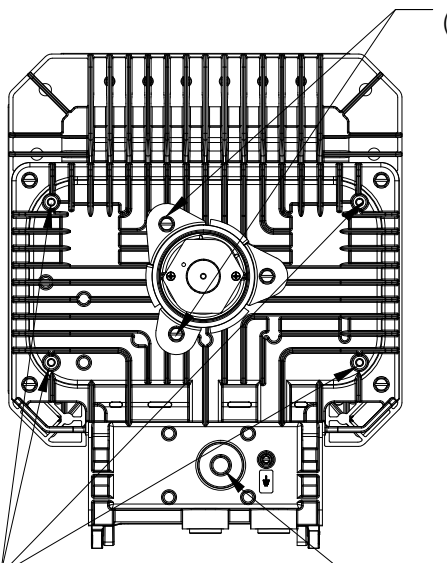
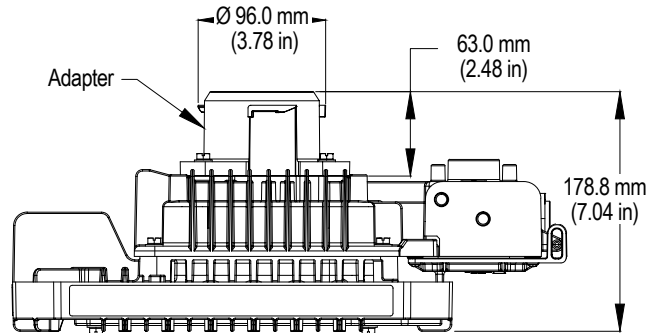
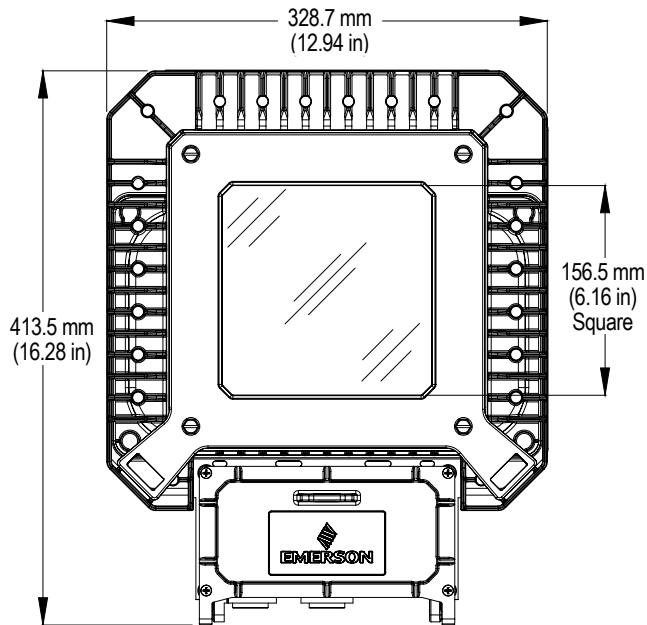
NEC/CEC/NOM: Type 3R, 4, 4X | IP66/67 | Marine Outside Type (Salt Water) for USA ONLY | Wet Locations

IECEE CB: IK08 | IP66

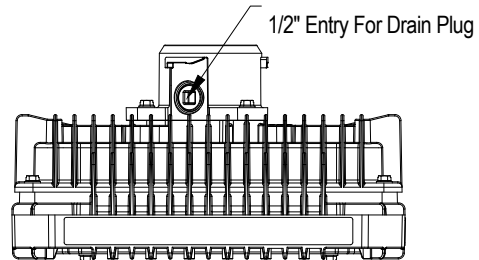
Markings: CE | UKCA

Notable: American Bureau of Shipping (ABS) Certified | 10G Vibration (IBLL and IBHLL models only)

IBLLP Dimensions in Millimeters (Inches) — High Bay — With Quick Mount Pendant System — Low Lumen Model



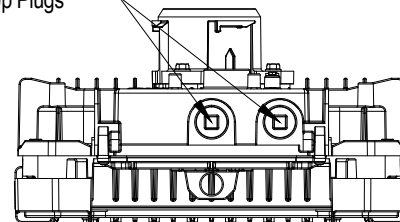
(3) 1/4-20 UNC Screws



(4) 1/4-20 Threads for Y Cable Assembly Eye Bolts

(1) 3/4 - 14 NPT for Cable Entry with Close-Up Plug

(2) 3/4" Close-Up Plugs



Industrial Baymaster™ and High Lumen LED Series Luminaires

High Bay
Ordinary Locations

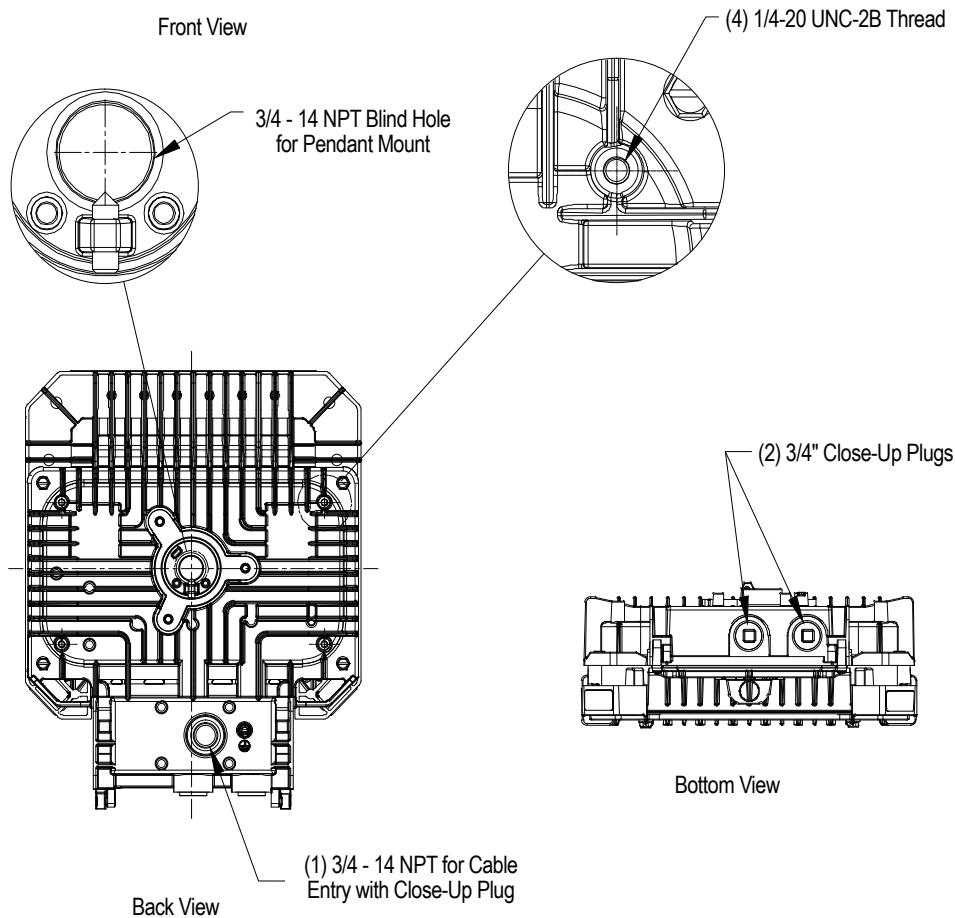
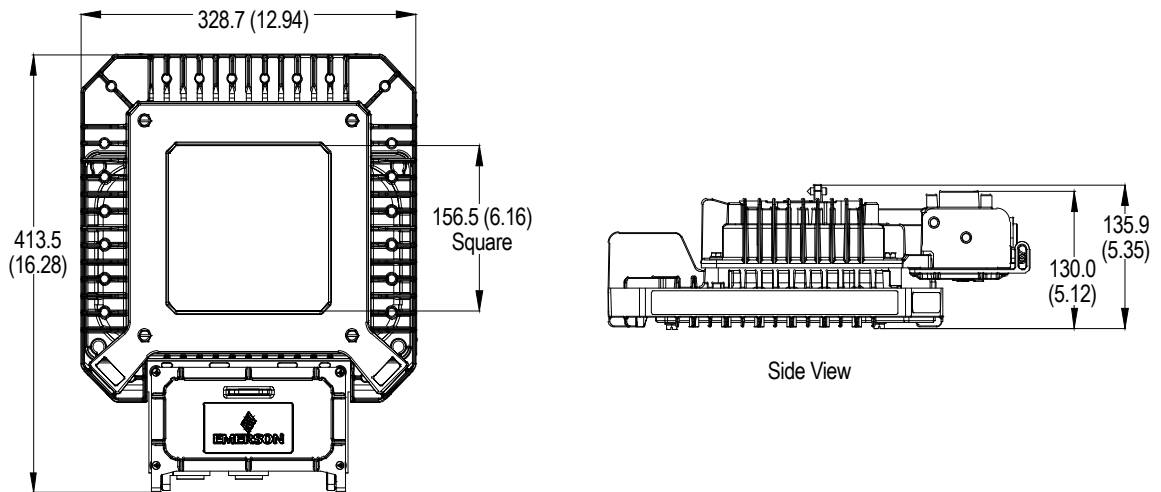
NEC/CEC/NOM: Type 3R, 4, 4X | IP66/67 | Marine Outside Type (Salt Water) for USA ONLY | Wet Locations

IECEE CB: IK08 | IP66

Markings: CE | UKCA

Notable: American Bureau of Shipping (ABS) Certified | 10G Vibration (IBLL and IBHLL models only)

IBLL Dimensions in Millimeters (Inches) — High Bay — No Mount — Low Lumen Model



LED Luminaires | High Bay | Ordinary Location | NEC / CEC

Industrial Baymaster™ and High Lumen LED Series Luminaires

High Bay

Ordinary Locations

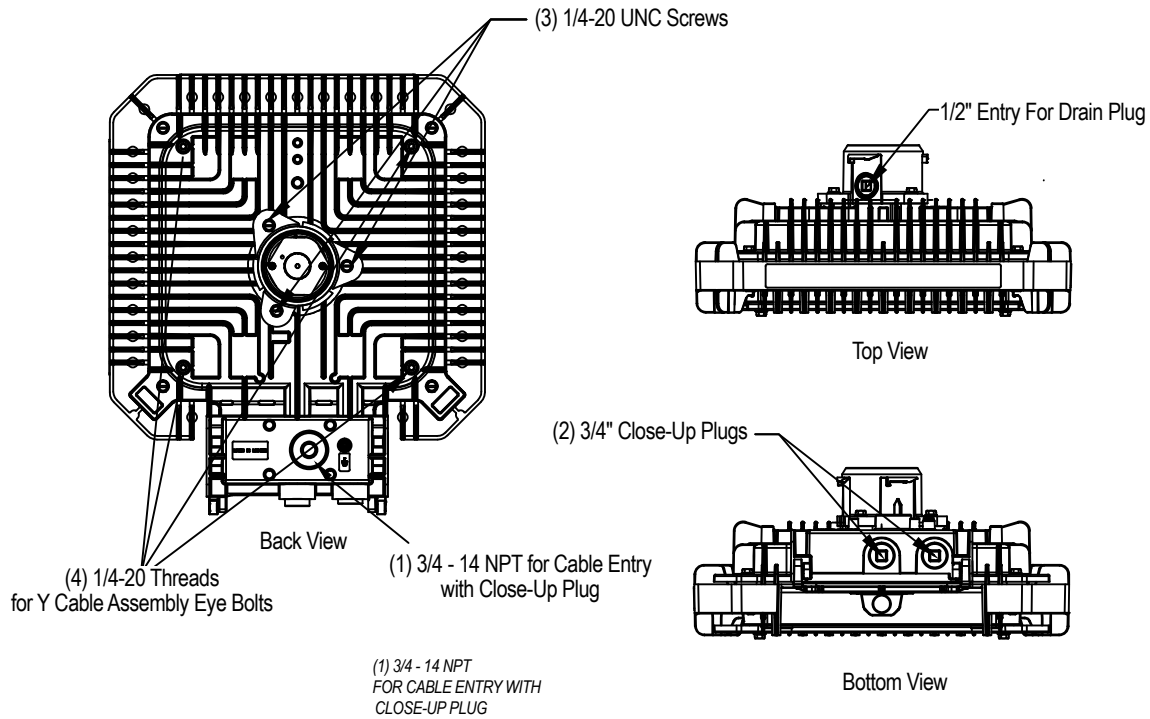
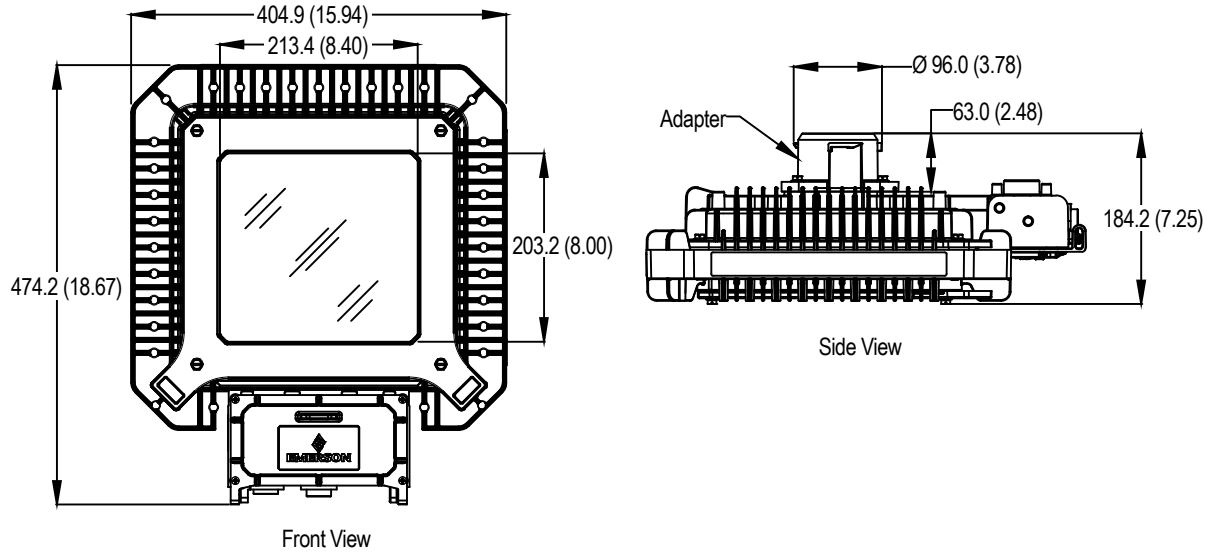
NEC/CEC/NOM: Type 3R, 4, 4X | IP66/67 | Marine Outside Type (Salt Water) for USA ONLY | Wet Locations

IECEE CB: IK08 | IP66

Markings: CE | UKCA

Notable: American Bureau of Shipping (ABS) Certified | 10G Vibration (IBLL and IBHL models only)

IBHLP Dimensions in Millimeters (Inches) — High Bay — With Quick Mount Pendant System — High Lumen Model

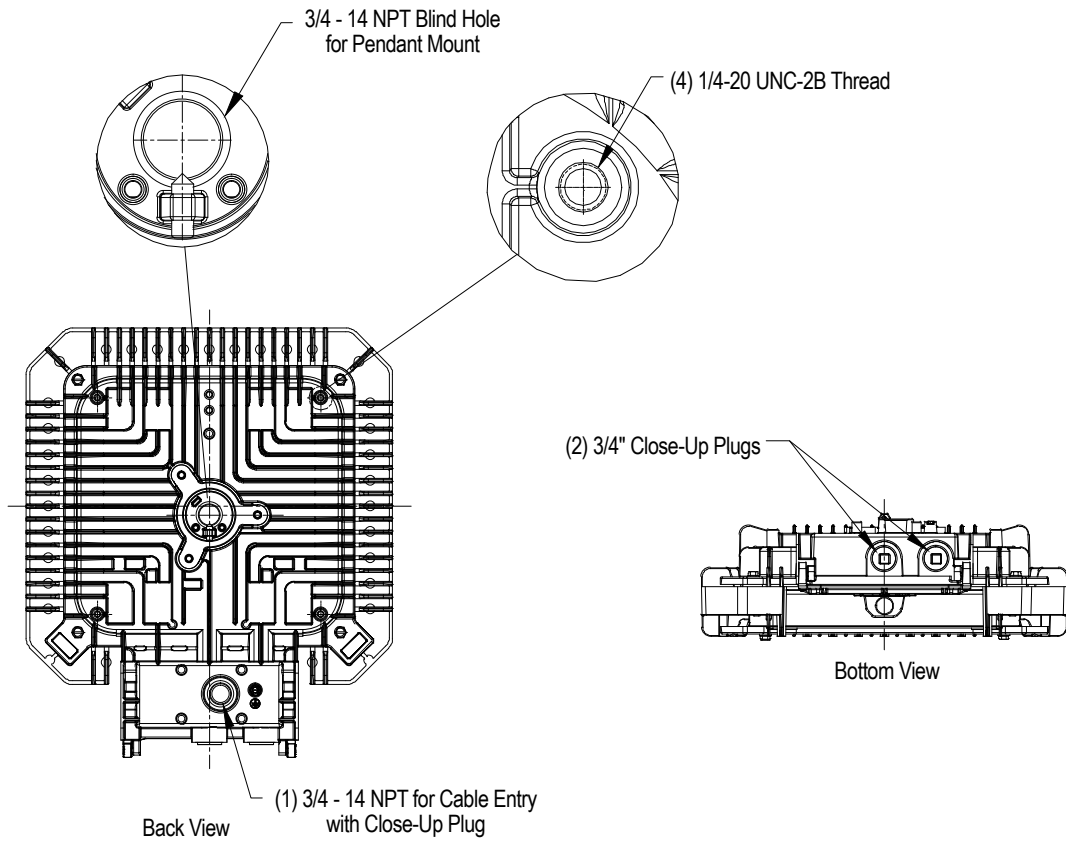
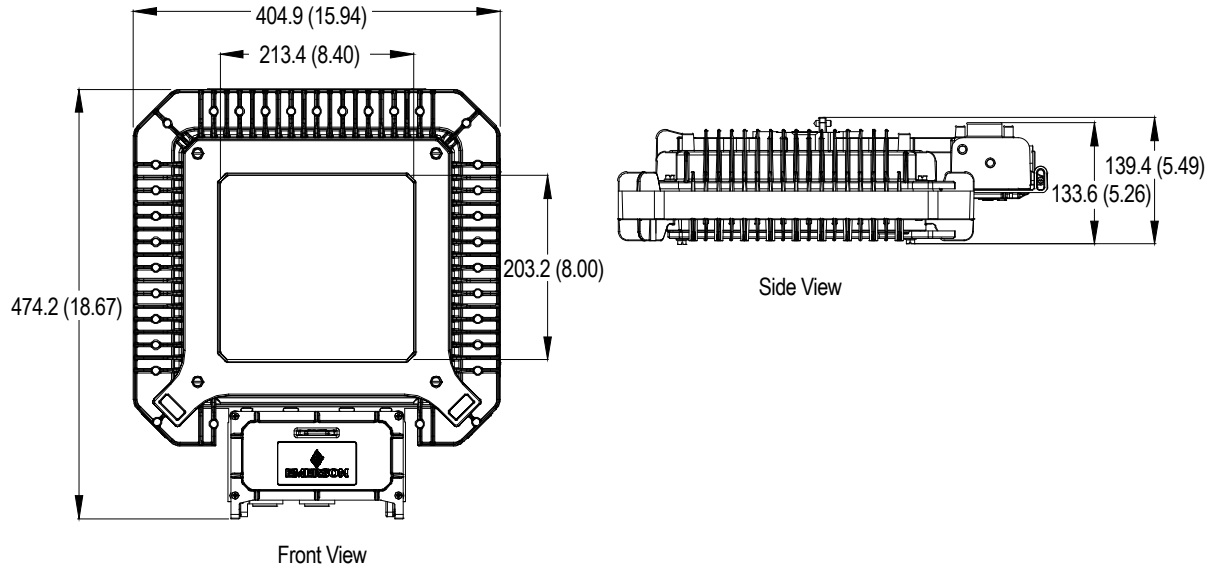


Industrial Baymaster™ and High Lumen LED Series Luminaires

High Bay
Ordinary Locations

NEC/CEC/NOM: Type 3R, 4, 4X | IP66/67 | Marine Outside Type (Salt Water) for USA ONLY | Wet Locations
IECEE CB: IK08 | IP66
Markings: CE | UKCA
Notable: American Bureau of Shipping (ABS) Certified | 10G Vibration (IBLLL and IBHLL models only)

IBHL Dimensions in Millimeters (Inches) — High Bay — No Mount — High Lumen Model



LED Luminaires | High Bay | Ordinary Location | NEC / CEC

Industrial Baymaster™ and High Lumen LED Series Luminaires

High Bay

Ordinary Locations

NEC/CEC/NOM: Type 3R, 4, 4X | IP66/67 | Marine Outside Type (Salt Water) for USA ONLY | Wet Locations

IECEE CB: IK08 | IP66

Markings: CE | UKCA

Notable: American Bureau of Shipping (ABS) Certified | 10G Vibration (IBLL and IBHLL models only)

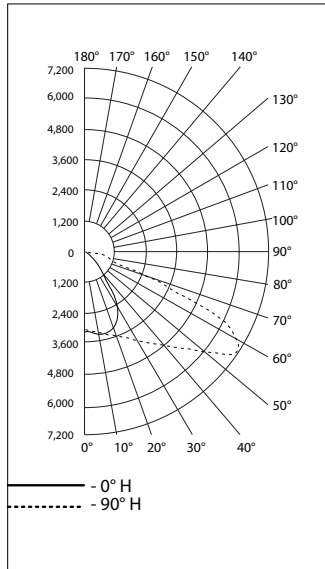
Photometric Data — DATA SHOWN IS ABSOLUTE

Aisle, Clear Glass, 5000K CCT

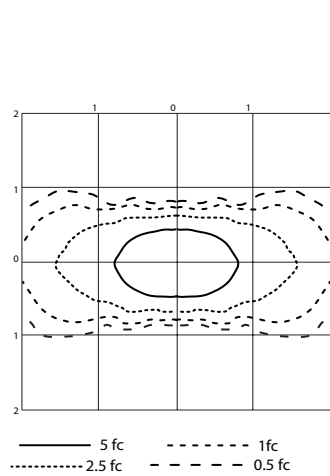
REPORT NUMBER: BLLPL6CGANBU

Luminaire Lumens 9,679

POLAR CANDELA DISTRIBUTION



ISOFOOT CANDLE PLOT



ZONAL LUMEN SUMMARY

Zone	Lumens	% Luminaire
0-30	2,820.3	29.1%
0-40	4,676.6	48.3%
0-60	8,307.1	85.8%
60-90	1,371.3	14.2%
70-100	171.1	1.8%
90-120	0	0%
0-90	9,678.4	100%
90-180	0	0%
0-180	9,678.4	100%

LUMENS PER ZONE

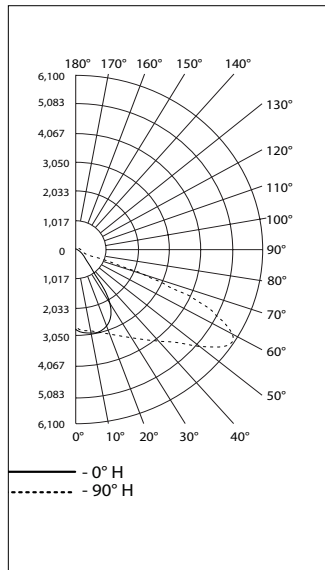
Zone	Lumens	% Total	Zone
0-10	306.6	3.2%	90-100
10-20	952.6	9.8%	100-110
20-30	1,561.2	16.1%	110-120
30-40	1,856.2	19.2%	120-130
40-50	1,764.9	18.2%	130-140
50-60	1,865.7	19.3%	140-150
60-70	1,200.2	12.4%	150-160
70-80	159.2	1.6%	160-170
80-90	11.9	0.1%	170-180

Aisle, Clear Glass, 3000K CCT

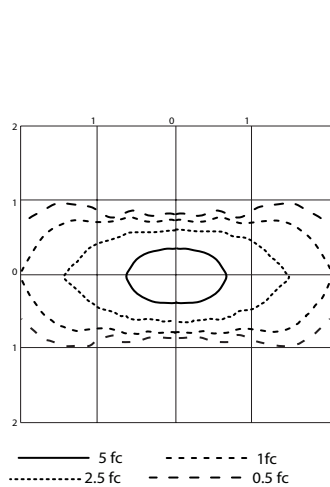
REPORT NUMBER: BLLPL6WGANBU

Luminaire Lumens 8,432

POLAR CANDELA DISTRIBUTION



ISOFOOT CANDLE PLOT



ZONAL LUMEN SUMMARY

Zone	Lumens	% Luminaire
0-30	2,507.0	29.7%
0-40	4,141.6	49.1%
0-60	7,265.0	86.2%
60-90	1,166.5	13.8%
70-100	139.9	1.7%
90-120	0	0%
0-90	8,431.5	100%
90-180	0	0%
0-180	8,431.5	100%

LUMENS PER ZONE

Zone	Lumens	% Total	Zone
0-10	275.1	3.3%	90-100
10-20	849.7	10.1%	100-110
20-30	1,382.2	16.4%	110-120
30-40	1,634.5	19.4%	120-130
40-50	1,536.3	18.2%	130-140
50-60	1,587.2	18.8%	140-150
60-70	1,026.6	12.2%	150-160
70-80	128.8	1.5%	160-170
80-90	11.1	0.1%	170-180

LED Luminaires | High Bay | Ordinary Location | NEC/CEC

Industrial Baymaster™ and High Lumen LED Series Luminaires

High Bay
Ordinary Locations

NEC/CEC/NOM: Type 3R, 4, 4X | IP66/67 | Marine Outside Type (Salt Water) for USA ONLY | Wet Locations
IECEE CB: IK08 | IP66
Markings: CE | UKCA
Notable: American Bureau of Shipping (ABS) Certified | 10G Vibration (IBLL and IBHL models only)

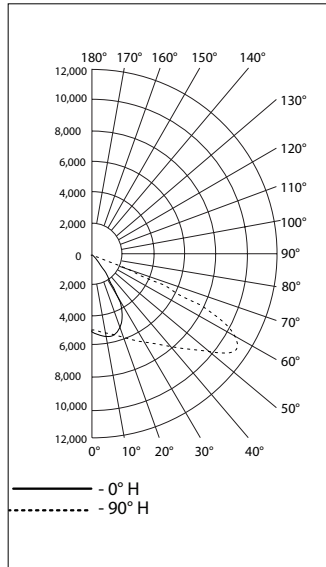
Photometric Data — DATA SHOWN IS ABSOLUTE

Aisle, Clear Glass, 5000K CCT

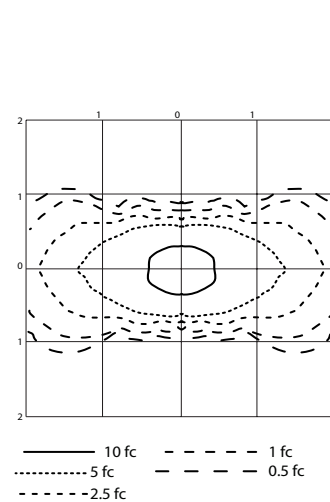
REPORT NUMBER: BLLPL7CGANBU

Luminaire Lumens 15,234

POLAR CANDELA DISTRIBUTION



ISOFOOT CANDLE PLOT



ZONAL LUMEN SUMMARY

Zone	Lumens	% Luminaire
0-30	4,456.3	29.3%
0-40	7,383.0	48.5%
0-60	13,097.7	86%
60-90	2,136.1	14%
70-100	262.4	1.7%
90-120	0	0%
0-90	15,233.8	100%
90-180	0	0%
0-180	15,233.8	100%

LUMENS PER ZONE

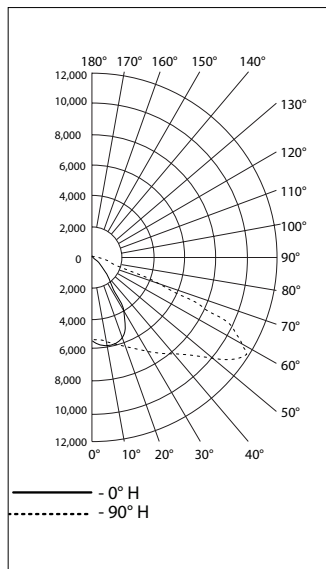
Zone	Lumens	% Total	Zone
0-10	484.8	3.2%	90-100
10-20	1,506.6	9.9%	100-110
20-30	2,464.8	16.2%	110-120
30-40	2,926.7	19.2%	120-130
40-50	2,779.6	18.2%	130-140
50-60	2,935.1	19.3%	140-150
60-70	1,873.7	12.3%	150-160
70-80	243.9	1.6%	160-170
80-90	18.5	0.1%	170-180

Aisle, Clear Glass, 3000K CCT

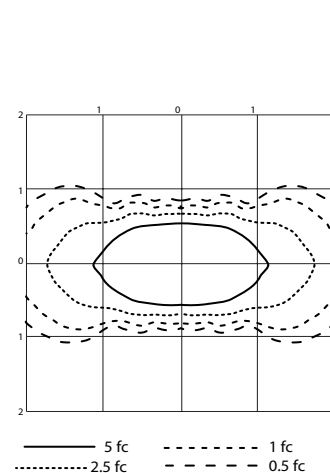
REPORT NUMBER: BLLPL7WGANBU

Luminaire Lumens 12,579

POLAR CANDELA DISTRIBUTION



ISOFOOT CANDLE PLOT



ZONAL LUMEN SUMMARY

Zone	Lumens	% Luminaire
0-30	3,750.7	29.8%
0-40	6,191.4	49.2%
0-60	10,866.4	86.4%
60-90	1,711.8	13.6%
70-100	199.6	1.6%
90-120	0	0%
0-90	12,578.2	100%
90-180	0	0%
0-180	12,578.2	100%

LUMENS PER ZONE

Zone	Lumens	% Total	Zone
0-10	412.0	3.3%	90-100
10-20	1,272.1	10.1%	100-110
20-30	2,066.7	16.4%	110-120
30-40	2,440.6	19.4%	120-130
40-50	2,296.4	18.3%	130-140
50-60	2,378.7	18.9%	140-150
60-70	1,512.1	12.0%	150-160
70-80	183.7	1.5%	160-170
80-90	15.9	0.1%	170-180

LED Luminaires | High Bay | Ordinary Location | NEC / CEC

Industrial Baymaster™ and High Lumen LED Series Luminaires

High Bay

Ordinary Locations

NEC/CEC/NOM: Type 3R, 4, 4X | IP66/67 | Marine Outside Type (Salt Water) for USA ONLY | Wet Locations

IECEE CB: IK08 | IP66

Markings: CE | UKCA

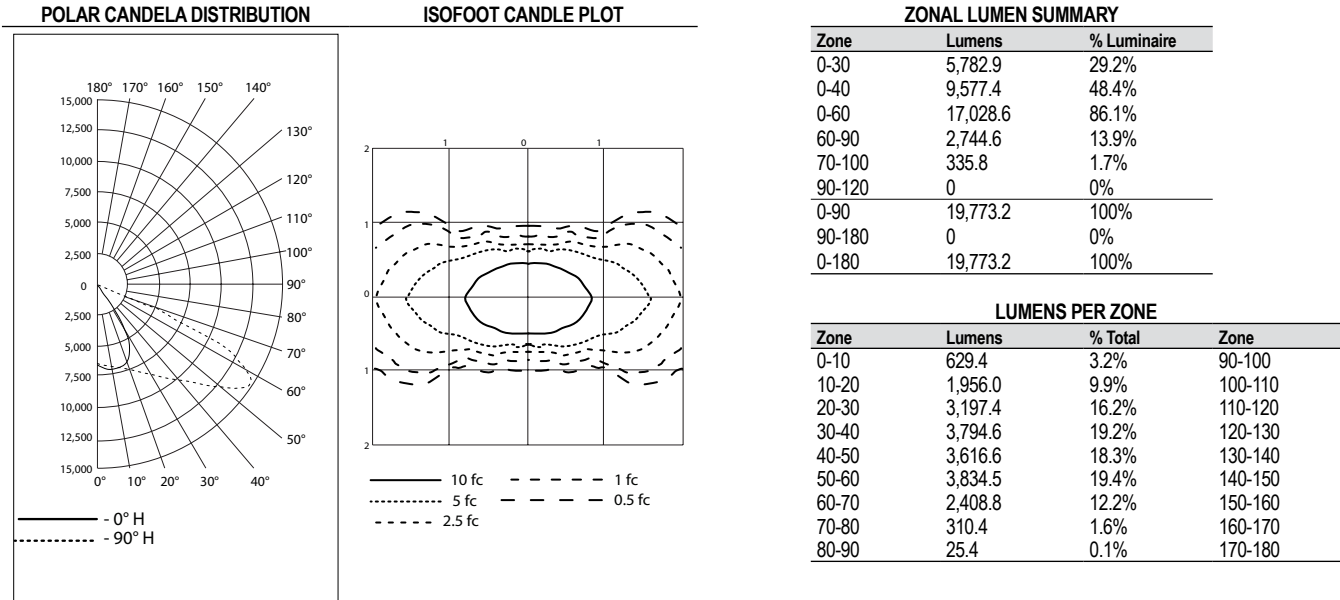
Notable: American Bureau of Shipping (ABS) Certified | 10G Vibration (IBLL and IBHLL models only)

Photometric Data — DATA SHOWN IS ABSOLUTE

Aisle, Clear Glass, 5000K CCT

REPORT NUMBER: BLLPL8CGANBU

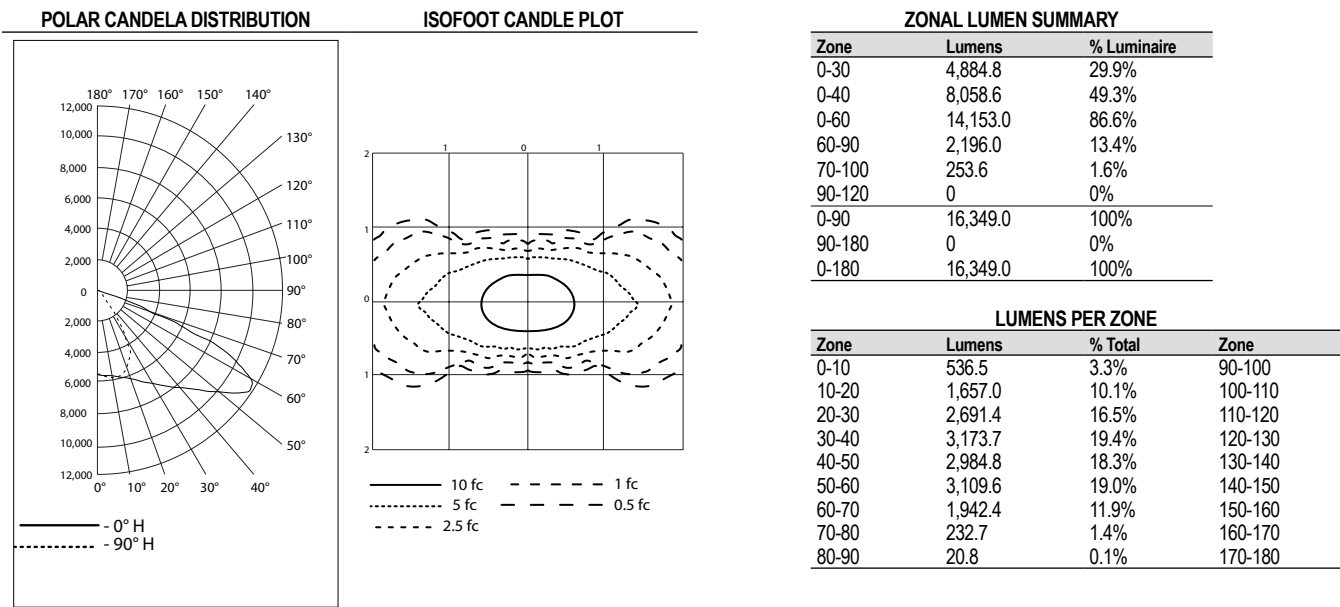
Luminaire Lumens 19,774



Aisle, Clear Glass, 3000K CCT

REPORT NUMBER: BLLPL8WGANBU

Luminaire Lumens 16,350



LED Luminaires | High Bay | Ordinary Location | NEC/CEC

Industrial Baymaster™ and High Lumen LED Series Luminaires

High Bay
Ordinary Locations

NEC/CEC/NOM: Type 3R, 4, 4X | IP66/67 | Marine Outside Type (Salt Water) for USA ONLY | Wet Locations
IECEE CB: IK08 | IP66
Markings: CE | UKCA
Notable: American Bureau of Shipping (ABS) Certified | 10G Vibration (IBLL and IBHLL models only)

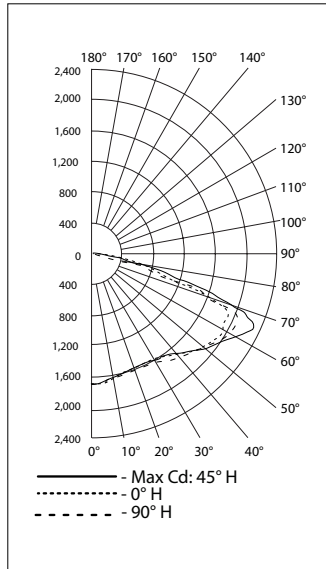
Photometric Data — DATA SHOWN IS ABSOLUTE

Type V Wide, Clear Glass, 5000K CCT

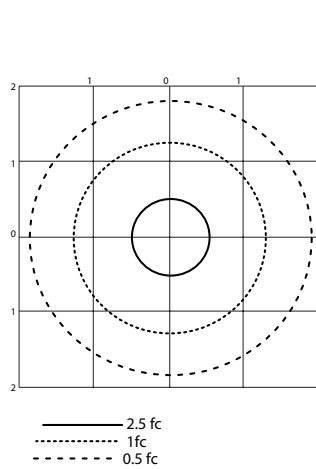
REPORT NUMBER: BLLPL6CGWNBU

Luminaire Lumens 8,682

POLAR CANDELA DISTRIBUTION



ISOFOOT CANDLE PLOT



ZONAL LUMEN SUMMARY

Zone	Lumens	% Luminaire
0-30	1,348.9	15.5%
0-40	2,382.8	27.4%
0-60	5,543.9	63.9%
60-90	3,138.6	36.1%
70-100	1,078.8	12.4%
90-120	0	0%
0-90	8,682.5	100%
90-180	0	0%
0-180	8,682.5	100%

LUMENS PER ZONE

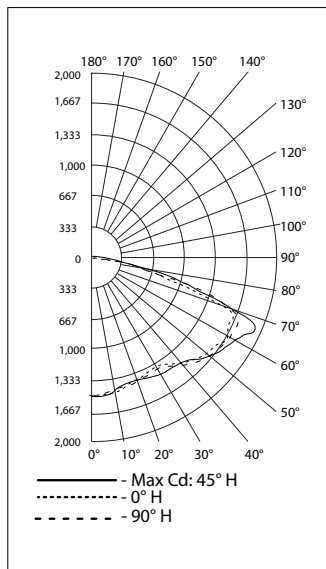
Zone	Lumens	% Total	Zone
0-10	158.9	1.8%	90-100
10-20	454.7	5.2%	100-110
20-30	735.4	8.5%	110-120
30-40	1,033.9	11.9%	120-130
40-50	1,392.0	16.0%	130-140
50-60	1,769.1	20.4%	140-150
60-70	2,059.8	23.7%	150-160
70-80	1,037.6	11.9%	160-170
80-90	41.3	0.5%	170-180

Type V Wide, Clear Glass, 3000K CCT

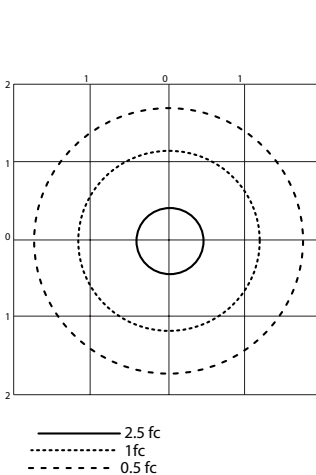
REPORT NUMBER: BLLPI6GWNBU

Luminaire Lumens 7,506

POLAR CANDELA DISTRIBUTION



ISOFOOT CANDLE PLOT



ZONAL LUMEN SUMMARY

Zone	Lumens	% Luminaire
0-30	1,211.6	16.1%
0-40	2,131.1	28.4%
0-60	4,876.2	65%
60-90	2,629.4	35%
70-100	905.2	12.1%
90-120	0	0%
0-90	7,505.6	100%
90-180	0	0%
0-180	7,505.6	100%

LUMENS PER ZONE

Zone	Lumens	% Total	Zone
0-10	143.6	1.9%	90-100
10-20	409.1	5.5%	100-110
20-30	658.9	8.8%	110-120
30-40	919.5	12.3%	120-130
40-50	1,224.7	16.3%	130-140
50-60	1,520.4	20.3%	140-150
60-70	1,724.2	23.0%	150-160
70-80	870.4	11.6%	160-170
80-90	34.8	0.5%	170-180

LED Luminaires | High Bay | Ordinary Location | NEC / CEC

Industrial Baymaster™ and High Lumen LED Series Luminaires

High Bay

Ordinary Locations

NEC/CEC/NOM: Type 3R, 4, 4X | IP66/67 | Marine Outside Type (Salt Water) for USA ONLY | Wet Locations

IECEE CB: IK08 | IP66

Markings: CE | UKCA

Notable: American Bureau of Shipping (ABS) Certified | 10G Vibration (IBLL and IBHLL models only)

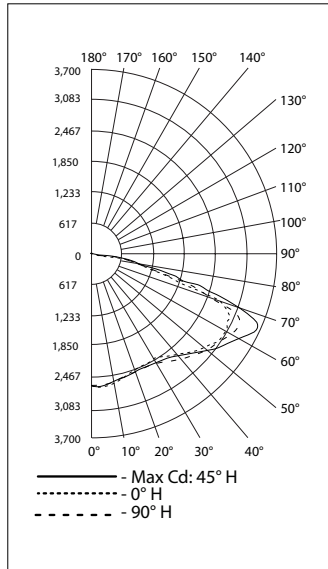
Photometric Data — DATA SHOWN IS ABSOLUTE

Type V Wide, Clear Glass, 5000K CCT

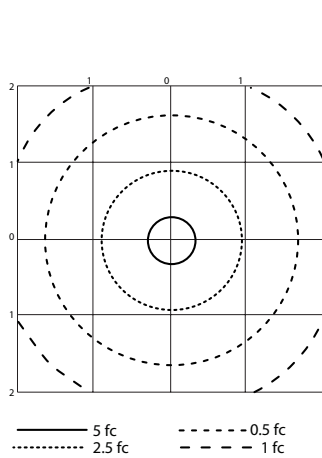
REPORT NUMBER: BLLPL7CGWNBU

Luminaire Lumens 13,608

POLAR CANDELA DISTRIBUTION



ISOFOOT CANDLE PLOT



ZONAL LUMEN SUMMARY

Zone	Lumens	% Luminaire
0-30	2,119.5	15.6%
0-40	3,743.3	27.5%
0-60	8,711.1	64%
60-90	4,897.4	36%
70-100	1,668.8	12.3%
90-120	0	0%
0-90	13,608.5	100%
90-180	0	0%
0-180	13,608.5	100%

LUMENS PER ZONE

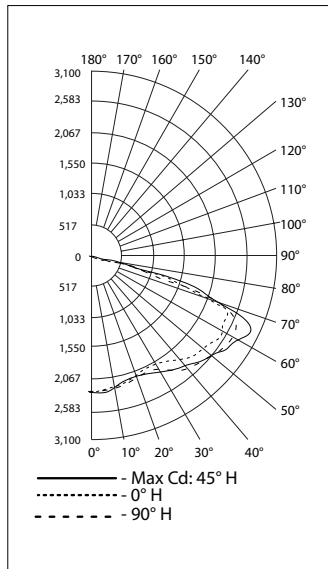
Zone	Lumens	% Total	Zone
0-10	249.6	1.8%	90-100
10-20	714.5	5.3%	100-110
20-30	1,155.4	8.5%	110-120
30-40	1,623.7	11.9%	120-130
40-50	2,188.0	16.1%	130-140
50-60	2,779.9	20.4%	140-150
60-70	3,228.7	23.7%	150-160
70-80	1,606.3	11.8%	160-170
80-90	62.4	0.5%	170-180

Type V Wide, Clear Glass, 3000K CCT

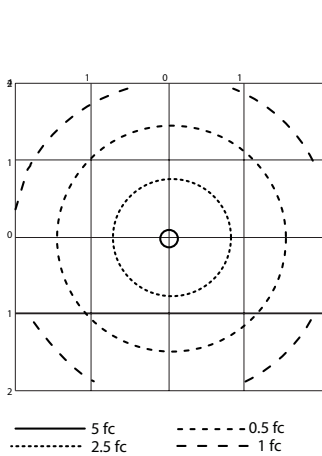
REPORT NUMBER: BLLPI7WGWNB

Luminaire Lumens 11,351

POLAR CANDELA DISTRIBUTION



ISOFOOT CANDLE PLOT



ZONAL LUMEN SUMMARY

Zone	Lumens	% Luminaire
0-30	1,832.3	16.1%
0-40	3,226.8	28.4%
0-60	7,385.1	65.1%
60-90	3,965.6	34.9%
70-100	1,355.2	11.9%
90-120	0	0%
0-90	11,350.7	100%
90-180	0	0%
0-180	11,350.7	100%

LUMENS PER ZONE

Zone	Lumens	% Total	Zone
0-10	216.7	1.9%	90-100
10-20	618.0	5.4%	100-110
20-30	997.6	8.8%	110-120
30-40	1,394.6	12.3%	120-130
40-50	1,855.9	16.4%	130-140
50-60	2,302.3	20.3%	140-150
60-70	2,610.5	23.0%	150-160
70-80	1,305.4	11.5%	160-170
80-90	49.8	0.4%	170-180

LED Luminaires | High Bay | Ordinary Location | NEC/CEC

Industrial Baymaster™ and High Lumen LED Series Luminaires

High Bay
Ordinary Locations

NEC/CEC/NOM: Type 3R, 4, 4X | IP66/67 | Marine Outside Type (Salt Water) for USA ONLY | Wet Locations
IECEE CB: IK08 | IP66
Markings: CE | UKCA
Notable: American Bureau of Shipping (ABS) Certified | 10G Vibration (IBLL and IBHLL models only)

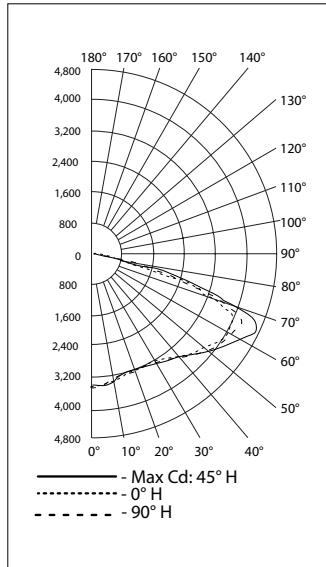
Photometric Data — DATA SHOWN IS ABSOLUTE

Type V Wide, Clear Glass, 5000K CCT

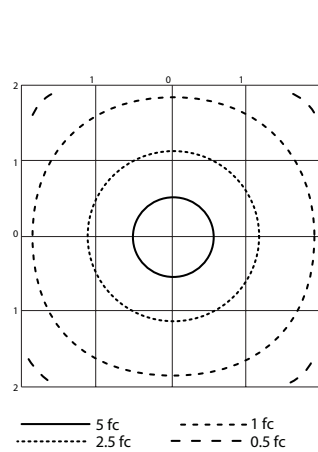
REPORT NUMBER: BLLPL8CGWNBU

Luminaire Lumens 17,710

POLAR CANDELA DISTRIBUTION



ISOFOOT CANDLE PLOT



ZONAL LUMEN SUMMARY

Zone	Lumens	% Luminaire
0-30	2,747.6	15.5%
0-40	4,856.1	27.4%
0-60	11,344.9	64.1%
60-90	6,365.5	35.9%
70-100	2,134.3	12.1%
90-120	0	0%
0-90	17,710.3	100%
90-180	0	0%
0-180	17,710.3	100%

LUMENS PER ZONE

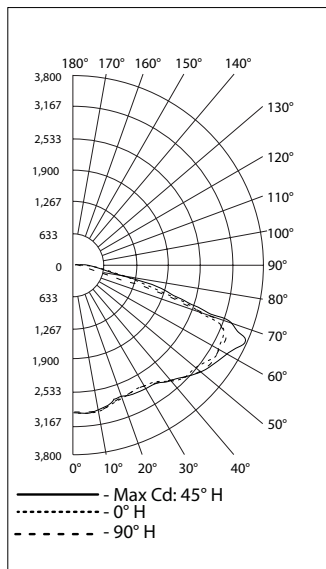
Zone	Lumens	% Total	Zone
0-10	323.7	1.8%	90-100
10-20	926.5	5.2%	100-110
20-30	1,497.4	8.5%	110-120
30-40	2,108.5	11.9%	120-130
40-50	2,852.1	16.1%	130-140
50-60	3,636.8	20.5%	140-150
60-70	4,231.2	23.9%	150-160
70-80	2,057.9	11.6%	160-170
80-90	76.4	0.4%	170-180

Type V Wide, Clear Glass, 3000K CCT

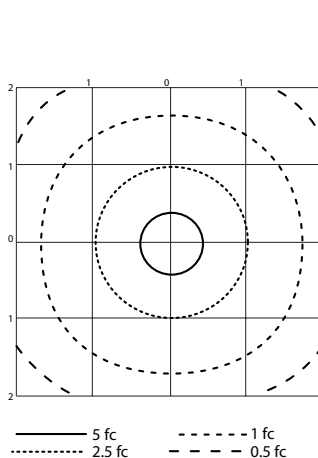
REPORT NUMBER: BLLPL8WGWNB

Luminaire Lumens 14,676

POLAR CANDELA DISTRIBUTION



ISOFOOT CANDLE PLOT



ZONAL LUMEN SUMMARY

Zone	Lumens	% Luminaire
0-30	2,363.9	16.1%
0-40	4,165.7	28.4%
0-60	9,561.5	65.1%
60-90	5,114.9	34.9%
70-100	1,722.7	11.7%
90-120	0	0%
0-90	14,676.4	100%
90-180	0	0%
0-180	14,676.4	100%

LUMENS PER ZONE

Zone	Lumens	% Total	Zone
0-10	279.6	1.9%	90-100
10-20	797.4	5.4%	100-110
20-30	1,287.0	8.8%	110-120
30-40	1,801.8	12.3%	120-130
40-50	2,405.1	16.4%	130-140
50-60	2,990.7	20.4%	140-150
60-70	3,392.2	23.1%	150-160
70-80	1,661.4	11.3%	160-170
80-90	61.3	0.4%	170-180

LED Luminaires | High Bay | Ordinary Location | NEC / CEC

Industrial Baymaster™ and High Lumen LED Series Luminaires

High Bay

Ordinary Locations

NEC/CEC/NOM: Type 3R, 4, 4X | IP66/67 | Marine Outside Type (Salt Water) for USA ONLY | Wet Locations

IECEE CB: IK08 | IP66

Markings: CE | UKCA

Notable: American Bureau of Shipping (ABS) Certified | 10G Vibration (IBLL and IBHLL models only)

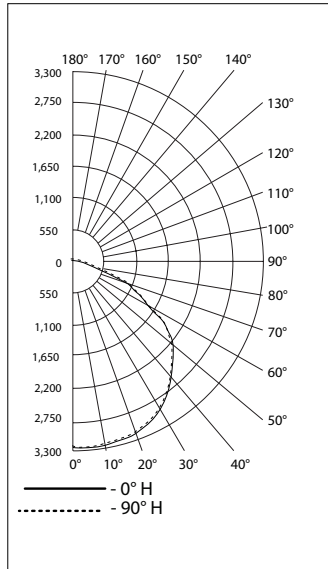
Photometric Data — DATA SHOWN IS ABSOLUTE

Type V, Clear Glass, 3000K CCT

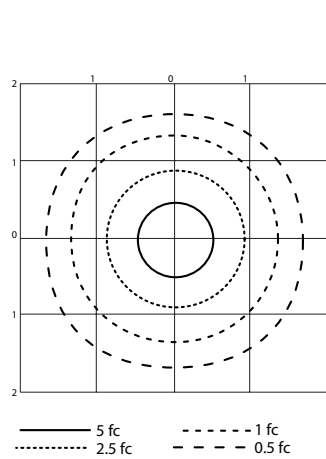
REPORT NUMBER: BLLPL6CGMNBU

Luminaire Lumens 9,758

POLAR CANDELA DISTRIBUTION



ISOFOOT CANDLE PLOT



ZONAL LUMEN SUMMARY

Zone	Lumens	% Luminaire
0-30	2,652.8	27.2%
0-40	4,452.5	45.6%
0-60	8,136.0	83.4%
60-90	1,621.4	16.6%
70-100	448.1	4.6%
90-120	0	0%
0-90	9,757.4	100%
90-180	0	0%
0-180	9,757.4	100%

LUMENS PER ZONE

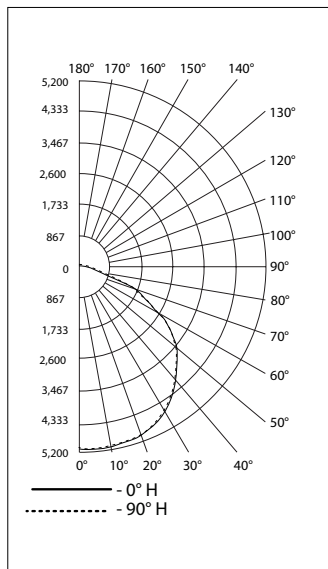
Zone	Lumens	% Total	Zone
0-10	308.6	3.2%	90-100
10-20	909.9	9.3%	100-110
20-30	1,434.3	14.7%	110-120
30-40	1,799.7	18.4%	120-130
40-50	1,932.1	19.8%	130-140
50-60	1,751.4	17.9%	140-150
60-70	1,173.3	12.0%	150-160
70-80	416.4	4.3%	160-170
80-90	31.7	0.3%	170-180

Type V, Clear Glass, 5000K CCT

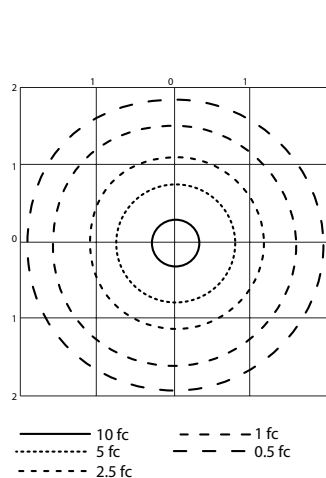
REPORT NUMBER: BLLPL7CGMNBU

Luminaire Lumens 15,392

POLAR CANDELA DISTRIBUTION



ISOFOOT CANDLE PLOT



ZONAL LUMEN SUMMARY

Zone	Lumens	% Luminaire
0-30	4,187.7	27.2%
0-40	7,034.1	45.7%
0-60	12,847.0	83.5%
60-90	2,544.4	16.5%
70-100	704.8	4.6%
90-120	0	0%
0-90	15,391.4	100%
90-180	0	0%
0-180	15,391.4	100%

LUMENS PER ZONE

Zone	Lumens	% Total	Zone
0-10	486.6	3.2%	90-100
10-20	1,435.2	9.3%	100-110
20-30	2,265.9	14.7%	110-120
30-40	2,846.4	18.5%	120-130
40-50	3,051.4	19.8%	130-140
50-60	2,761.4	17.9%	140-150
60-70	1,839.6	12.0%	150-160
70-80	655.0	4.3%	160-170
80-90	49.8	0.3%	170-180

LED Luminaires | High Bay | Ordinary Location | NEC/CEC

Industrial Baymaster™ and High Lumen LED Series Luminaires

High Bay
Ordinary Locations

NEC/CEC/NOM: Type 3R, 4, 4X | IP66/67 | Marine Outside Type (Salt Water) for USA ONLY | Wet Locations
IECEE CB: IK08 | IP66
Markings: CE | UKCA
Notable: American Bureau of Shipping (ABS) Certified | 10G Vibration (IBLL and IBHLL models only)

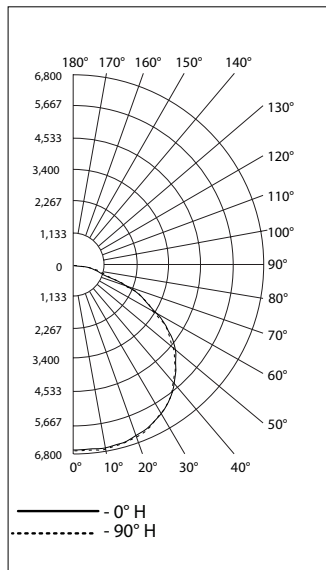
Photometric Data — DATA SHOWN IS ABSOLUTE

Type V, Clear Glass, 5000K CCT

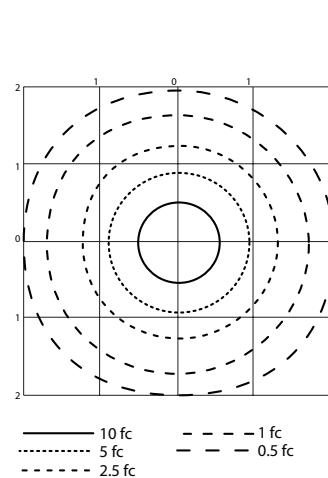
REPORT NUMBER: BLLPL8CGMNB

Luminaire Lumens 20,097

POLAR CANDELA DISTRIBUTION



ISOFOOT CANDLE PLOT



ZONAL LUMEN SUMMARY

Zone	Lumens	% Luminaire
0-30	5,491.5	27.3%
0-40	9,219.3	45.9%
0-60	16,805.9	83.6%
60-90	3,290.0	16.4%
70-100	901.9	4.5%
90-120	0	0%
0-90	20,095.9	100%
90-180	0	0%
0-180	20,095.9	100%

LUMENS PER ZONE

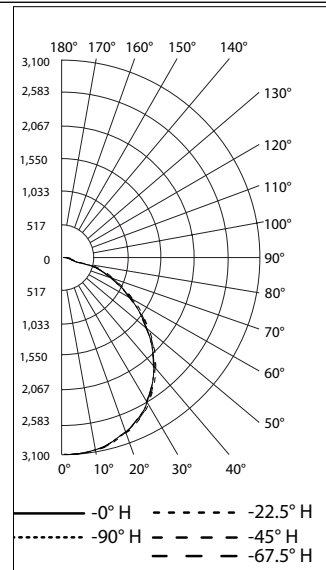
Zone	Lumens	% Total	Zone
0-10	638.0	3.2%	90-100
10-20	1,882.3	9.4%	100-110
20-30	2,971.3	14.8%	110-120
30-40	3,727.8	18.6%	120-130
40-50	3,988.4	19.8%	130-140
50-60	3,598.2	17.9%	140-150
60-70	2,388.1	4.2%	150-160
70-80	840.3	11.9%	160-170
80-90	61.7	0.3%	170-180

Type V, Frosted Glass, 5000K CCT

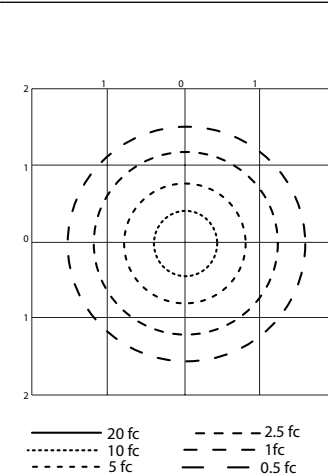
REPORT NUMBER: BLLPL6CFMNB

Luminaire Lumens 8,209

POLAR CANDELA DISTRIBUTION



ISOFOOT CANDLE PLOT



ZONAL LUMEN SUMMARY

Zone	Lumens	% Luminaire
0-30	2,400.5	29.2%
0-40	3,913.4	47.7%
0-60	6,732.3	82%
60-90	1,475.5	18%
70-100	553.0	6.7%
90-120	0	0%
0-90	8,207.9	100%
90-180	0	0%
0-180	8,207.9	100%

LUMENS PER ZONE

Zone	Lumens	% Total	Zone
0-10	291.7	3.6%	90-100
10-20	838.5	10.2%	100-110
20-30	1,270.3	15.5%	110-120
30-40	1,512.9	18.4%	120-130
40-50	1,517.4	18.5%	130-140
50-60	1,301.5	15.9%	140-150
60-70	922.5	11.2%	150-160
70-80	468.5	5.7%	160-170
80-90	84.5	1.0%	170-180

LED Luminaires | High Bay | Ordinary Location | NEC / CEC

Industrial Baymaster™ and High Lumen LED Series Luminaires

High Bay
Ordinary Locations

NEC/CEC/NOM: Type 3R, 4, 4X | IP66/67 | Marine Outside Type (Salt Water) for USA ONLY | Wet Locations
IECEE CB: IK08 | IP66
Markings: CE | UKCA
Notable: American Bureau of Shipping (ABS) Certified | 10G Vibration (IBLL and IBHLL models only)

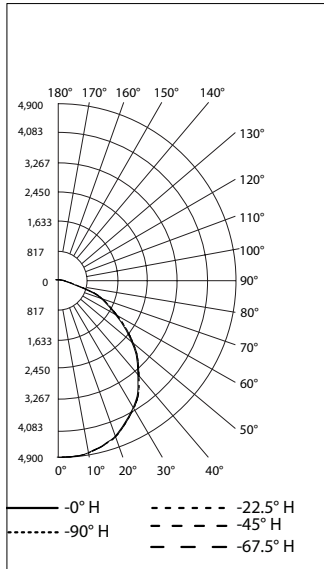
Photometric Data — DATA SHOWN IS ABSOLUTE

Type V, Frosted Glass, 5000K CCT

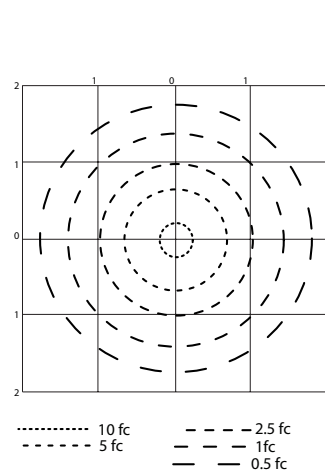
REPORT NUMBER: BLLPL7CFMNB

Luminaire Lumens 12,955

POLAR CANDELA DISTRIBUTION



ISOFOOT CANDLE PLOT



ZONAL LUMEN SUMMARY

Zone	Lumens	% Luminaire
0-30	3,794.5	29.3%
0-40	6,181.5	47.7%
0-60	10,623.4	82%
60-90	2,330.5	18%
70-100	875.2	6.8%
90-120	0	0%
0-90	12,953.9	100%
90-180	0	0%
0-180	12,953.9	100%

LUMENS PER ZONE

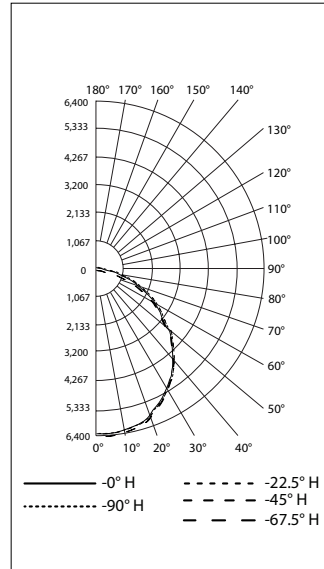
Zone	Lumens	% Total	Zone
0-10	461.3	3.6%	90-100
10-20	1,326.2	10.2%	100-110
20-30	2,007.0	15.5%	110-120
30-40	2,387.0	18.4%	120-130
40-50	2,392.1	18.5%	130-140
50-60	2,049.8	15.8%	140-150
60-70	1,455.3	11.2%	150-160
70-80	740.7	5.7%	160-170
80-90	134.5	1.0%	170-180

Type V, Clear Glass, 5000K CCT

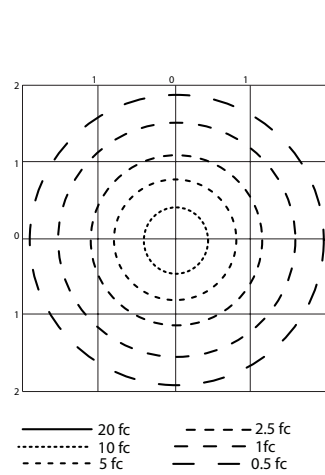
REPORT NUMBER: BLLPL8CFMNB

Luminaire Lumens 16,711

POLAR CANDELA DISTRIBUTION



ISOFOOT CANDLE PLOT



ZONAL LUMEN SUMMARY

Zone	Lumens	% Luminaire
0-30	4,907.8	29.4%
0-40	7,989.9	47.8%
0-60	13,718.2	82.1%
60-90	2,991.4	17.9%
70-100	1,120.8	6.7%
90-120	0	0%
0-90	16,709.6	100%
90-180	0	0%
0-180	16,709.6	100%

LUMENS PER ZONE

Zone	Lumens	% Total	Zone
0-10	597.1	3.6%	90-100
10-20	1,715.9	10.3%	100-110
20-30	2,594.8	15.5%	110-120
30-40	3,082.1	18.4%	120-130
40-50	3,086.8	18.5%	130-140
50-60	2,641.5	15.8%	140-150
60-70	1,870.6	11.2%	150-160
70-80	949.8	5.7%	160-170
80-90	171.0	1.0%	170-180

LED Luminaires | High Bay | Ordinary Location | NEC/CEC

Industrial Baymaster™ and High Lumen LED Series Luminaires

High Bay
Ordinary Locations

NEC/CEC/NOM: Type 3R, 4, 4X | IP66/67 | Marine Outside Type (Salt Water) for USA ONLY | Wet Locations
IECEE CB: IK08 | IP66
Markings: CE | UKCA
Notable: American Bureau of Shipping (ABS) Certified | 10G Vibration (IBLL and IBHLL models only)

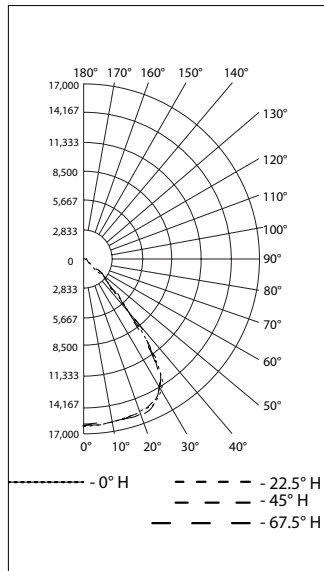
Photometric Data — DATA SHOWN IS ABSOLUTE

Type V Narrow, Clear Glass, 5000K CCT

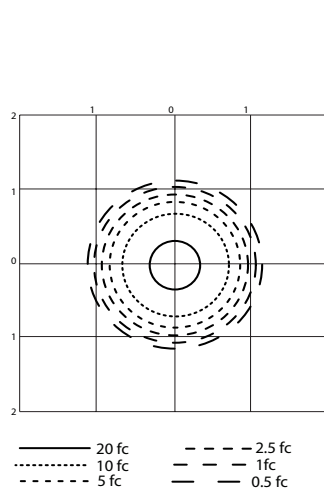
REPORT NUMBER: BHLPL1CGNNBU

Luminaire Lumens 24,459

POLAR CANDELA DISTRIBUTION



ISOFOOT CANDLE PLOT



ZONAL LUMEN SUMMARY

Zone	Lumens	% Luminaire
0-30	13,267.9	54.3%
0-40	20,732.9	84.8%
0-60	23,891.8	97.7%
60-90	561.6	2.3%
70-100	242.1	1%
90-120	0	0%
0-90	24,453.4	100%
90-180	0	0%
0-180	24,453.4	100%

LUMENS PER ZONE

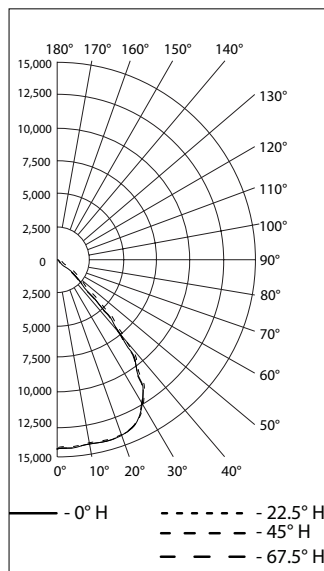
Zone	Lumens	% Total	Zone
0-10	1,538.5	6.3%	90-100
10-20	4,553.8	18.6%	100-110
20-30	7,175.6	29.3%	110-120
30-40	7,465.0	30.5%	120-130
40-50	2,717.0	11.1%	130-140
50-60	441.9	1.8%	140-150
60-70	319.5	1.3%	150-160
70-80	215.3	0.9%	160-170
80-90	26.8	0.1%	170-180

Type V Narrow, Clear Glass, 3000K CCT

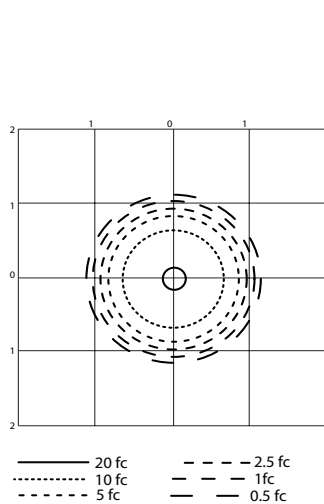
REPORT NUMBER: BHLPL1WGNNU

Luminaire Lumens 21,648

POLAR CANDELA DISTRIBUTION



ISOFOOT CANDLE PLOT



ZONAL LUMEN SUMMARY

Zone	Lumens	% Luminaire
0-30	11,658.8	53.9%
0-40	18,259.6	84.4%
0-60	21,173.3	97.8%
60-90	469.0	2.2%
70-100	195.8	0.9%
90-120	0	0%
0-90	21,642.2	100%
90-180	0	0%
0-180	21,642.2	100%

LUMENS PER ZONE

Zone	Lumens	% Total	Zone
0-10	1,538.5	6.3%	90-100
10-20	4,553.8	18.6%	100-110
20-30	7,175.6	29.3%	110-120
30-40	7,465.0	30.5%	120-130
40-50	2,717.0	11.1%	130-140
50-60	441.9	1.8%	140-150
60-70	319.5	1.3%	150-160
70-80	215.3	0.9%	160-170
80-90	26.8	0.1%	170-180

LED Luminaires | High Bay | Ordinary Location | NEC / CEC

Industrial Baymaster™ and High Lumen LED Series Luminaires

High Bay

Ordinary Locations

NEC/CEC/NOM: Type 3R, 4, 4X | IP66/67 | Marine Outside Type (Salt Water) for USA ONLY | Wet Locations

IECEE CB: IK08 | IP66

Markings: CE | UKCA

Notable: American Bureau of Shipping (ABS) Certified | 10G Vibration (IBLL and IBHLL models only)

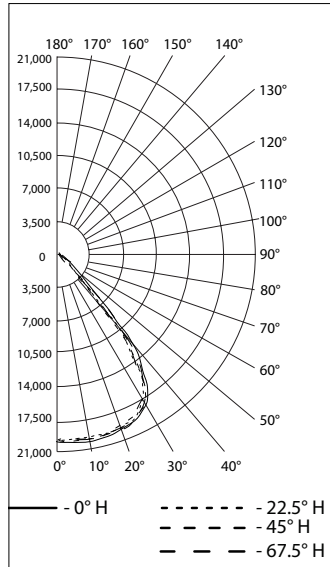
Photometric Data — DATA SHOWN IS ABSOLUTE

Type V Narrow, Clear Glass, 5000K CCT

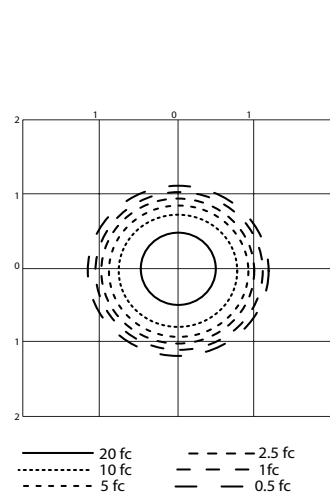
REPORT NUMBER: BHLPL2CGNNBU

Luminaire Lumens 30,396

POLAR CANDELA DISTRIBUTION



ISOFOOT CANDLE PLOT



ZONAL LUMEN SUMMARY

Zone	Lumens	% Luminaire
0-30	16,453.1	54.1%
0-40	25,742.1	84.7%
0-60	29,699.7	97.7%
60-90	688.8	2.3%
70-100	296.7	1%
90-120	0	0%
0-90	30,388.4	100%
90-180	0	0%
0-180	30,388.4	100%

LUMENS PER ZONE

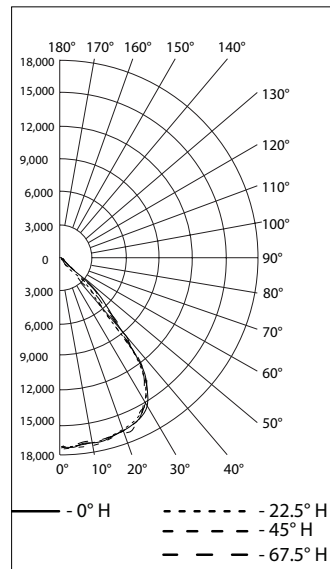
Zone	Lumens	% Total	Zone
0-10	1,909.5	6.3%	90-100
10-20	5,644.4	18.6%	100-110
20-30	8,899.2	29.3%	110-120
30-40	9,289.1	30.6%	120-130
40-50	3,411.2	11.2%	130-140
50-60	546.3	1.8%	140-150
60-70	392.0	1.3%	150-160
70-80	263.9	0.9%	160-170
80-90	32.9	0.1%	170-180

Type V Narrow, Clear Glass, 3000K CCT

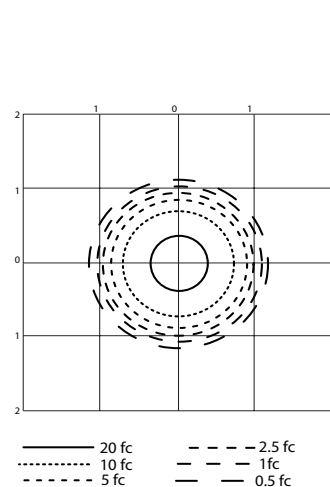
REPORT NUMBER: BHLPL2WGNNBU

Luminaire Lumens 25,785

POLAR CANDELA DISTRIBUTION



ISOFOOT CANDLE PLOT



ZONAL LUMEN SUMMARY

Zone	Lumens	% Luminaire
0-30	13,938.3	54.1%
0-40	21,797.3	84.6%
0-60	25,219.8	97.8%
60-90	559.0	2.2%
70-100	234.4	0.9%
90-120	0	0%
0-90	25,778.8	100%
90-180	0	0%
0-180	25,778.8	100%

LUMENS PER ZONE

Zone	Lumens	% Total	Zone
0-10	1,633.4	6.3%	90-100
10-20	4,795.3	18.6%	100-110
20-30	7,509.5	29.1%	110-120
30-40	7,859.0	30.5%	120-130
40-50	2,974.1	11.5%	130-140
50-60	448.4	1.7%	140-150
60-70	324.5	1.3%	150-160
70-80	208.1	0.8%	160-170
80-90	26.3	0.1%	170-180

LED Luminaires | High Bay | Ordinary Location | NEC/CEC

Industrial Baymaster™ and High Lumen LED Series Luminaires

High Bay

Ordinary Locations

NEC/CEC/NOM: Type 3R, 4, 4X | IP66/67 | Marine Outside Type (Salt Water) for USA ONLY | Wet Locations

IECEE CB: IK08 | IP66

Markings: CE | UKCA

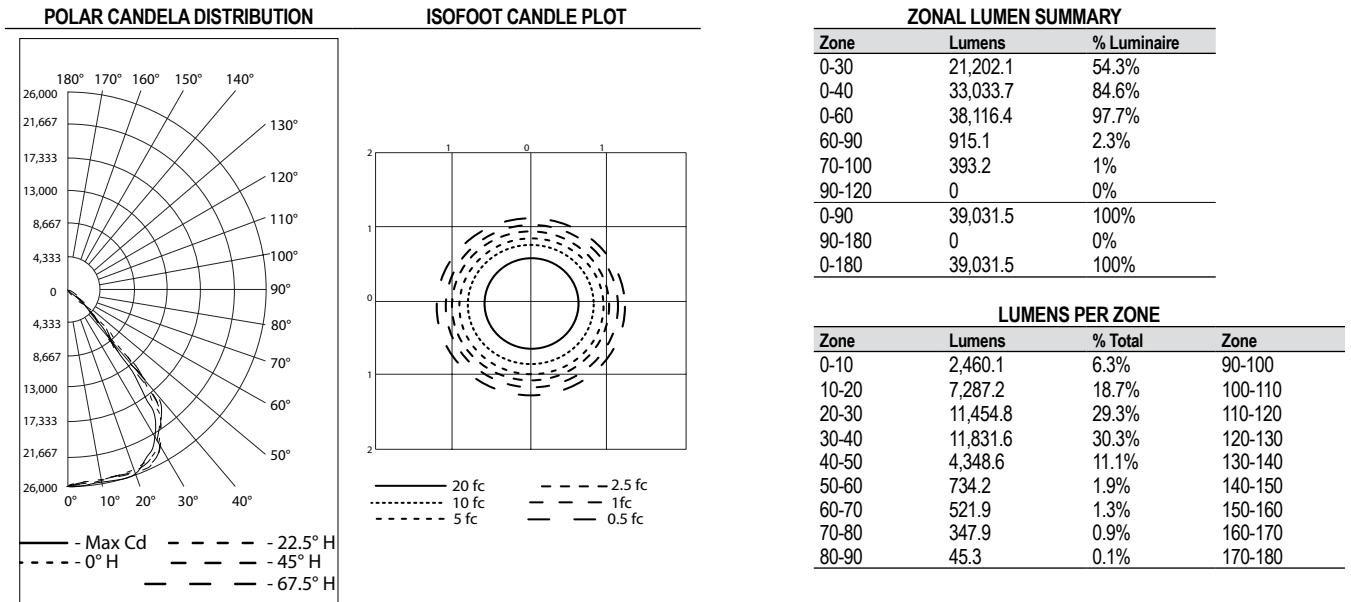
Notable: American Bureau of Shipping (ABS) Certified | 10G Vibration (IBLL and IBHLL models only)

Photometric Data — DATA SHOWN IS ABSOLUTE

Type V Narrow, Clear Glass, 5000K CCT

REPORT NUMBER: BHLPL3CGNNBU

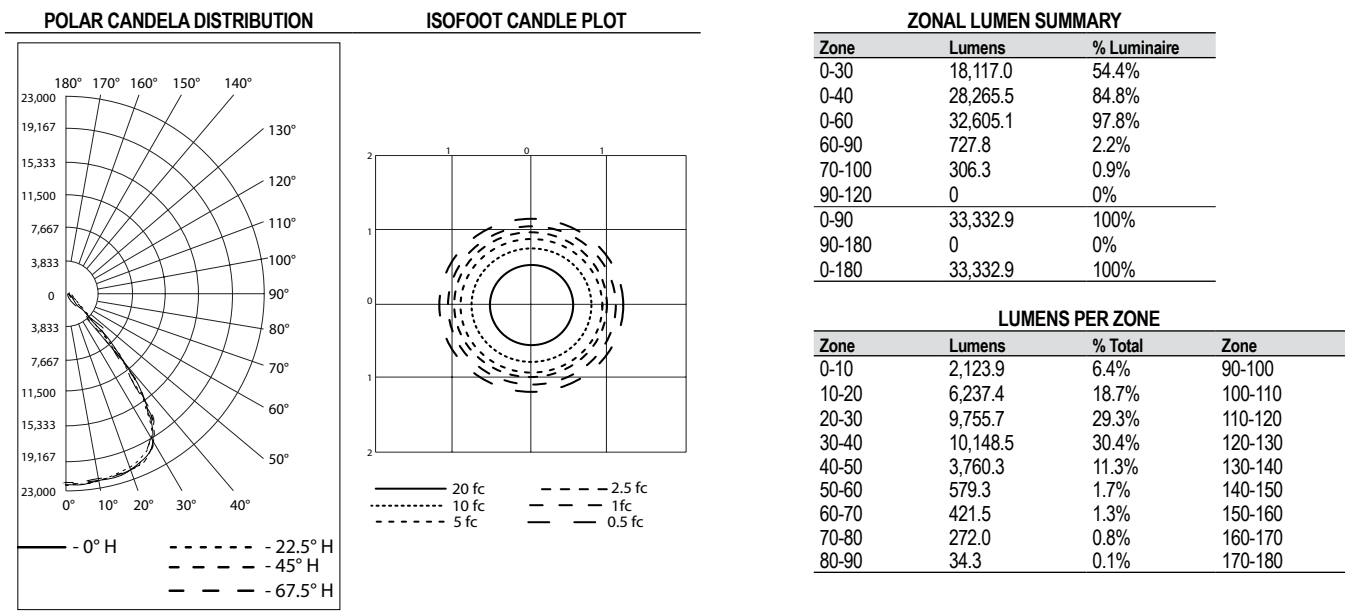
Luminaire Lumens 39,041



Type V Narrow, Clear Glass, 3000K CCT

REPORT NUMBER: BHLPL3WGNNU

Luminaire Lumens 33,341



LED Luminaires | High Bay | Ordinary Location | NEC / CEC

Industrial Baymaster™ and High Lumen LED Series Luminaires

High Bay

Ordinary Locations

NEC/CEC/NOM: Type 3R, 4, 4X | IP66/67 | Marine Outside Type (Salt Water) for USA ONLY | Wet Locations

IECEE CB: IK08 | IP66

Markings: CE | UKCA

Notable: American Bureau of Shipping (ABS) Certified | 10G Vibration (IBLL and IBHLL models only)

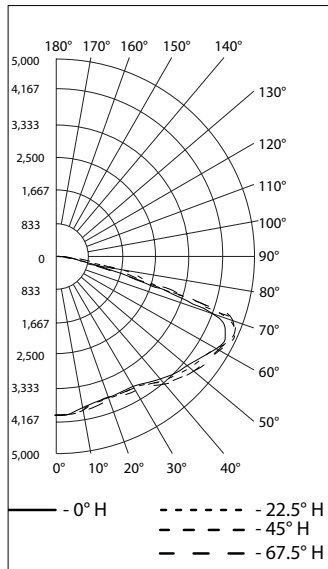
Photometric Data — DATA SHOWN IS ABSOLUTE

Type V Wide, Clear Glass, 5000K CCT

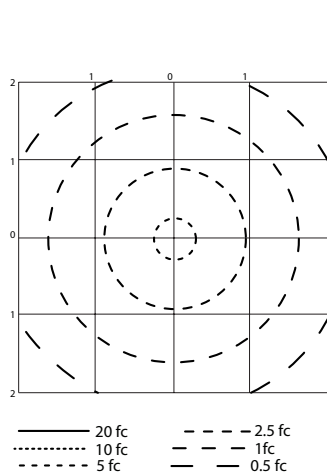
REPORT NUMBER: BHLPL1CGWNB

Luminaire Lumens 20,665

POLAR CANDELA DISTRIBUTION



ISOFOOT CANDLE PLOT



ZONAL LUMEN SUMMARY

Zone	Lumens	% Luminaire
0-30	3,267.5	15.8%
0-40	5,791.9	28%
0-60	13,265.1	64.2%
60-90	7,399.9	35.8%
70-100	2,655.4	12.8%
90-120	0	0%
0-90	20,665.1	100%
90-180	0	0%
0-180	20,665.1	100%

LUMENS PER ZONE

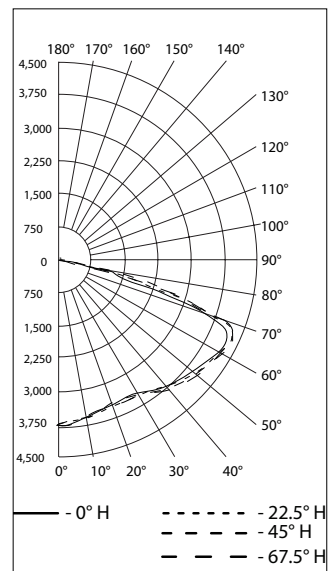
Zone	Lumens	% Total	Zone
0-10	381.9	1.8%	90-100
10-20	1,094.7	5.3%	100-110
20-30	1,790.9	8.7%	110-120
30-40	2,524.4	12.2%	120-130
40-50	3,359.2	16.3%	130-140
50-60	4,114.0	19.9%	140-150
60-70	4,744.6	23.0%	150-160
70-80	2,541.1	12.3%	160-170
80-90	114.3	0.6%	170-180

Type V Wide, Clear Glass, 3000K CCT

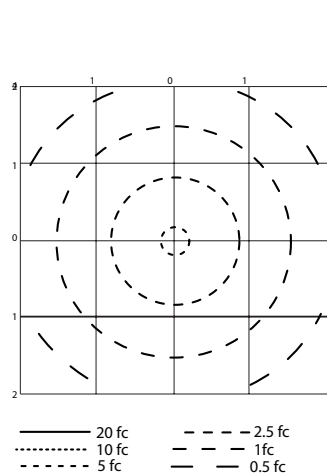
REPORT NUMBER: BHLPL1WGWNB

Luminaire Lumens 18,689

POLAR CANDELA DISTRIBUTION



ISOFOOT CANDLE PLOT



ZONAL LUMEN SUMMARY

Zone	Lumens	% Luminaire
0-30	3,003.0	16.1%
0-40	5,307.9	28.4%
0-60	12,100.9	64.7%
60-90	6,587.8	35.3%
70-100	2,340.7	12.5%
90-120	0	0%
0-90	18,688.8	100%
90-180	0	0%
0-180	18,688.8	100%

LUMENS PER ZONE

Zone	Lumens	% Total	Zone
0-10	352.0	1.9%	90-100
10-20	1,008.1	5.4%	100-110
20-30	1,642.9	8.8%	110-120
30-40	2,305.0	12.3%	120-130
40-50	3,058.7	16.4%	130-140
50-60	3,734.3	20.0%	140-150
60-70	4,247.1	22.7%	150-160
70-80	2,247.7	12.0%	160-170
80-90	93.1	0.5%	170-180

Industrial Baymaster™ and High Lumen LED Series Luminaires

High Bay
Ordinary Locations

NEC/CEC/NOM: Type 3R, 4, 4X | IP66/67 | Marine Outside Type (Salt Water) for USA ONLY | Wet Locations
IECEE CB: IK08 | IP66
Markings: CE | UKCA
Notable: American Bureau of Shipping (ABS) Certified | 10G Vibration (IBLL and IBHLL models only)

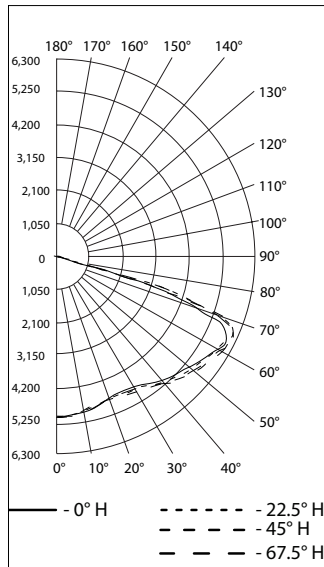
Photometric Data — DATA SHOWN IS ABSOLUTE

Type V Wide, Clear Glass, 5000K CCT

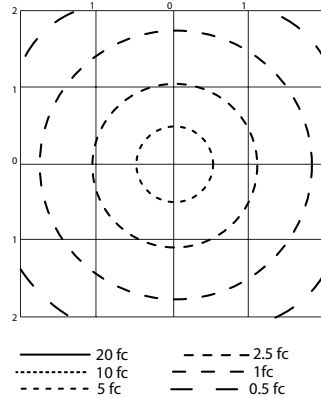
REPORT NUMBER: BHLPL2CGWNBU

Luminaire Lumens 25, 896

POLAR CANDELA DISTRIBUTION



ISOFOOT CANDLE PLOT



ZONAL LUMEN SUMMARY

Zone	Lumens	% Luminaire
0-30	4,099.3	15.8%
0-40	7,263.6	28%
0-60	16,635.1	64.2%
60-90	9,260.5	35.8%
70-100	3,317.2	12.8%
90-120	0	0%
0-90	25,895.6	100%
90-180	0	0%
0-180	25,895.6	100%

LUMENS PER ZONE

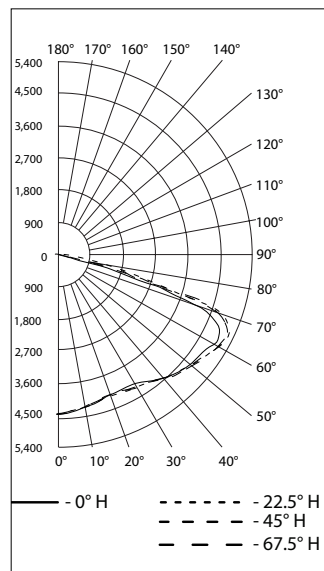
Zone	Lumens	% Total	Zone
0-10	478.9	1.8%	90-100
10-20	1,373.3	5.3%	100-110
20-30	2,247.1	8.7%	110-120
30-40	3,164.3	12.2%	120-130
40-50	4,214.3	16.3%	130-140
50-60	5,157.2	19.9%	140-150
60-70	5,943.3	23.0%	150-160
70-80	3,178.9	12.3%	160-170
80-90	138.3	0.5%	170-180

Type V Wide, Clear Glass, 3000K CCT

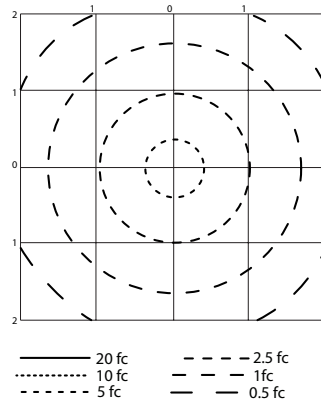
REPORT NUMBER: BHLPL2WGWNB

Luminaire Lumens 22,278

POLAR CANDELA DISTRIBUTION



ISOFOOT CANDLE PLOT



ZONAL LUMEN SUMMARY

Zone	Lumens	% Luminaire
0-30	3,582.7	16.1%
0-40	6,332.7	28.4%
0-60	14,434.3	64.8%
60-90	7,843.9	35.2%
70-100	2,774.1	12.5%
90-120	0	0%
0-90	22,278.2	100%
90-180	0	0
0-180	22,278.2	100%

LUMENS PER ZONE

Zone	Lumens	% Total	Zone
0-10	420.0	1.9%	90-100
10-20	1,202.3	5.4%	100-110
20-30	1,960.4	8.8%	110-120
30-40	2,749.9	12.3%	120-130
40-50	3,650.1	16.4%	130-140
50-60	4,451.5	20.0%	140-150
60-70	5,069.8	22.8%	150-160
70-80	2,669.2	12.0%	160-170
80-90	104.9	0.5%	170-180

LED Luminaires | High Bay | Ordinary Location | NEC / CEC

Industrial Baymaster™ and High Lumen LED Series Luminaires

High Bay

Ordinary Locations

NEC/CEC/NOM: Type 3R, 4, 4X | IP66/67 | Marine Outside Type (Salt Water) for USA ONLY | Wet Locations

IECEE CB: IK08 | IP66

Markings: CE | UKCA

Notable: American Bureau of Shipping (ABS) Certified | 10G Vibration (IBLL and IBHLL models only)

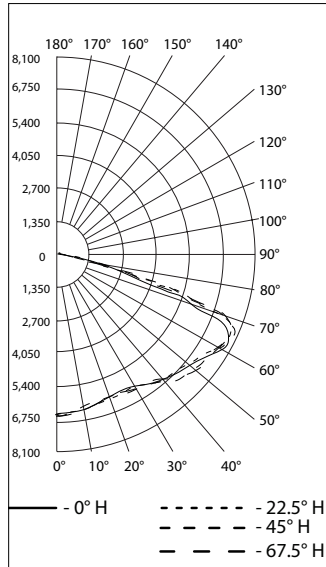
Photometric Data — DATA SHOWN IS ABSOLUTE

Type V Wide, Clear Glass, 5000K CCT

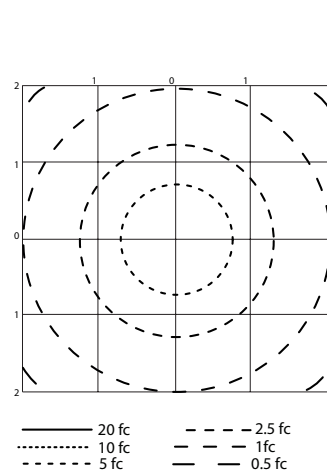
REPORT NUMBER: BHLPL3CGWNBU

Luminaire Lumens 33,374

POLAR CANDELA DISTRIBUTION



ISOFOOT CANDLE PLOT



ZONAL LUMEN SUMMARY

Zone	Lumens	% Luminaire
0-30	5,286.5	15.8%
0-40	9,369.3	28.1%
0-60	21,475.2	64.3%
60-90	11,898.9	35.7%
70-100	4,224.4	12.7%
90-120	0	0%
0-90	33,374.1	100%
90-180	0	0%
0-180	33,374.1	100%

LUMENS PER ZONE

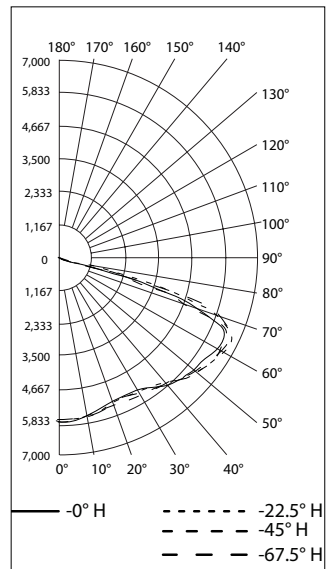
Zone	Lumens	% Total	Zone
0-10	617.3	1.8%	90-100
10-20	1,771.1	5.3%	100-110
20-30	2,898.1	8.7%	110-120
30-40	4,082.8	12.2%	120-130
40-50	5,443.0	16.3%	130-140
50-60	6,662.9	20.0%	140-150
60-70	7,674.5	23.0%	150-160
70-80	4,065.1	12.2%	160-170
80-90	159.3	0.5%	170-180

Type V Wide, Clear Glass, 3000K CCT

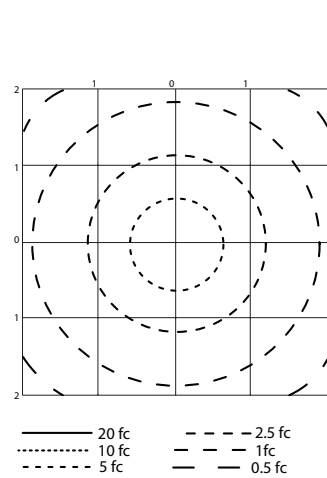
REPORT NUMBER: BHLPL3WGNBU

Luminaire Lumens 28,864

POLAR CANDELA DISTRIBUTION



ISOFOOT CANDLE PLOT



ZONAL LUMEN SUMMARY

Zone	Lumens	% Luminaire
0-30	4,643.3	16.1%
0-40	8,209.1	28.4%
0-60	18,724.5	64.9%
60-90	10,139.9	35.1%
70-100	3,562.1	12.3%
90-120	0	0%
0-90	28,864.4	100%
90-180	0	0%
0-180	28,864.4	100%

LUMENS PER ZONE

Zone	Lumens	% Total	Zone
0-10	544.2	1.9%	90-100
10-20	1,558.1	5.4%	100-110
20-30	2,541.0	8.8%	110-120
30-40	3,565.8	12.4%	120-130
40-50	4,737.0	16.4%	130-140
50-60	5,778.4	20.0%	140-150
60-70	6,577.8	22.8%	150-160
70-80	3,431.3	11.9%	160-170
80-90	130.9	0.5%	170-180

LED Luminaires | High Bay | Ordinary Location | NEC/CEC

Industrial Baymaster™ and High Lumen LED Series Luminaires

High Bay
Ordinary Locations

NEC/CEC/NOM: Type 3R, 4, 4X | IP66/67 | Marine Outside Type (Salt Water) for USA ONLY | Wet Locations
IECEE CB: IK08 | IP66
Markings: CE | UKCA
Notable: American Bureau of Shipping (ABS) Certified | 10G Vibration (IBLL and IBHL models only)

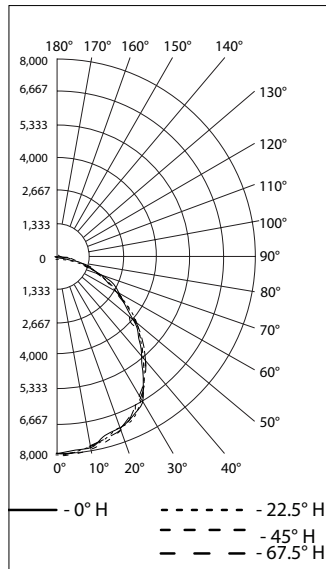
Photometric Data — DATA SHOWN IS ABSOLUTE

Type V Medium, Frosted Glass, 5000K CCT

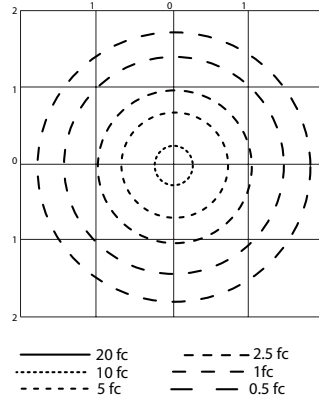
REPORT NUMBER: BHLPL1CFMNB

Luminaire Lumens 20,801

POLAR CANDELA DISTRIBUTION



ISOFOOT CANDLE PLOT



ZONAL LUMEN SUMMARY

Zone	Lumens	% Luminaire
0-30	6,121.0	29.4%
0-40	9,932.9	47.8%
0-60	17,003.6	81.8%
60-90	3,795.4	18.2%
70-100	1,458.3	7%
90-120	0	0%
0-90	20,799.0	100%
90-180	0	0%
0-180	20,799.0	100%

LUMENS PER ZONE

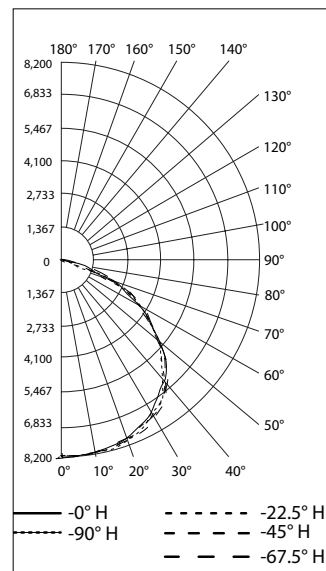
Zone	Lumens	% Total	Zone
0-10	749.2	3.6%	90-100
10-20	2,144.9	10.3%	100-110
20-30	3,226.9	15.5%	110-120
30-40	3,811.9	18.3%	120-130
40-50	3,804.1	18.3%	130-140
50-60	3,266.6	15.7%	140-150
60-70	2,337.1	11.2%	150-160
70-80	1,217.2	5.9%	160-170
80-90	241.1	1.2%	170-180

Type V Medium, Clear Glass, 5000K CCT

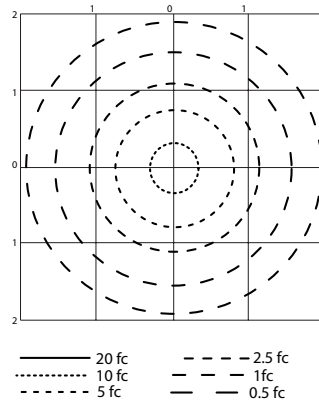
REPORT NUMBER: BHLPL1CGMNB

Luminaire Lumens 24,352

POLAR CANDELA DISTRIBUTION



ISOFOOT CANDLE PLOT



ZONAL LUMEN SUMMARY

Zone	Lumens	% Luminaire
0-30	6,658.2	27.3%
0-40	11,178.5	45.9%
0-60	20,239.3	83.1%
60-90	4,111.0	16.9%
70-100	1,207.1	5%
90-120	0	0%
0-90	24,350.2	100%
90-180	0	0%
0-180	24,350.2	100%

LUMENS PER ZONE

Zone	Lumens	% Total	Zone
0-10	773.6	3.2%	90-100
10-20	2,280.5	9.4%	100-110
20-30	3,604.1	14.8%	110-120
30-40	4,520.2	18.6%	120-130
40-50	4,785.8	19.7%	130-140
50-60	4,275.0	17.6%	140-150
60-70	2,903.9	11.9%	150-160
70-80	1,100.3	4.5%	160-170
80-90	106.7	0.4%	170-180

LED Luminaires | High Bay | Ordinary Location | NEC / CEC

Industrial Baymaster™ and High Lumen LED Series Luminaires

High Bay

Ordinary Locations

NEC/CEC/NOM: Type 3R, 4, 4X | IP66/67 | Marine Outside Type (Salt Water) for USA ONLY | Wet Locations

IECEE CB: IK08 | IP66

Markings: CE | UKCA

Notable: American Bureau of Shipping (ABS) Certified | 10G Vibration (IBLL and IBHLL models only)

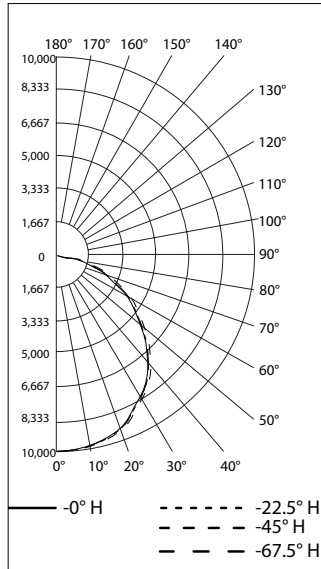
Photometric Data — DATA SHOWN IS ABSOLUTE

Type V Medium, Frosted Glass, 5000K CCT

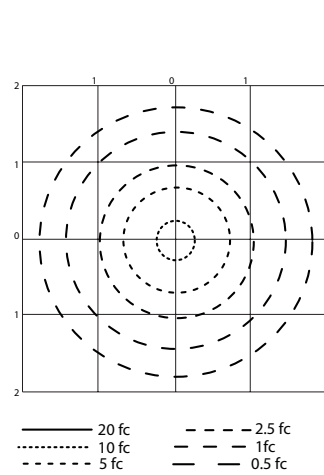
REPORT NUMBER: BHLPL2CFMNB

Luminaire Lumens 25,979

POLAR CANDELA DISTRIBUTION



ISOFOOT CANDLE PLOT



ZONAL LUMEN SUMMARY

Zone	Lumens	% Luminaire
0-30	7,656.5	29.5%
0-40	12,418.0	47.8%
0-60	21,243.5	81.8%
60-90	4,733.5	18.2%
70-100	1,818.2	7%
90-120	0	0%
0-90	25,977.0	100%
90-180	0	0%
0-180	25,977.0	100%

LUMENS PER ZONE

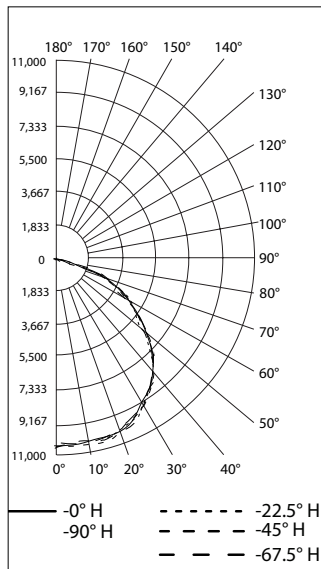
Zone	Lumens	% Total	Zone
0-10	937.3	3.6%	90-100
10-20	2,683.1	10.3%	100-110
20-30	4,036.1	15.5%	110-120
30-40	4,761.5	18.3%	120-130
40-50	4,748.8	18.3%	130-140
50-60	4,076.7	15.7%	140-150
60-70	2,915.3	11.2%	150-160
70-80	1,517.9	5.8%	160-170
80-90	300.3	1.2%	170-180

Type V Medium, Clear Glass, 5000K CCT

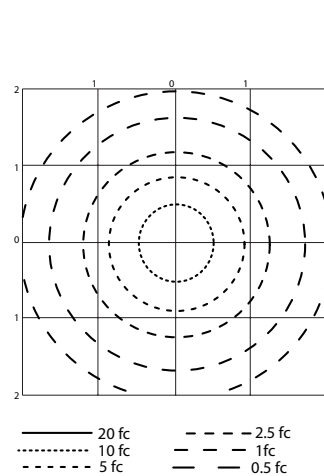
REPORT NUMBER: BHLPL2CGMNB

Luminaire Lumens 30,375

POLAR CANDELA DISTRIBUTION



ISOFOOT CANDLE PLOT



ZONAL LUMEN SUMMARY

Zone	Lumens	% Luminaire
0-30	8,323.9	27.4%
0-40	13,968.9	46%
0-60	25,264.2	83.2%
60-90	5,108.3	16.8%
70-100	1,499.7	4.9%
90-120	0	0%
0-90	30,372.5	100%
90-180	0	0%
0-180	30,372.5	100%

LUMENS PER ZONE

Zone	Lumens	% Total	Zone
0-10	967.1	3.2%	90-100
10-20	2,851.3	9.4%	100-110
20-30	4,505.5	14.8%	110-120
30-40	5,645.0	18.6%	120-130
40-50	5,970.4	19.7%	130-140
50-60	5,324.8	17.5%	140-150
60-70	3,608.7	11.9%	150-160
70-80	1,366.3	4.5%	160-170
80-90	133.3	0.4%	170-180

LED Luminaires | High Bay | Ordinary Location | NEC/CEC

Industrial Baymaster™ and High Lumen LED Series Luminaires

High Bay
Ordinary Locations

NEC/CEC/NOM: Type 3R, 4, 4X | IP66/67 | Marine Outside Type (Salt Water) for USA ONLY | Wet Locations
IECEE CB: IK08 | IP66
Markings: CE | UKCA
Notable: American Bureau of Shipping (ABS) Certified | 10G Vibration (IBLL and IBHLL models only)

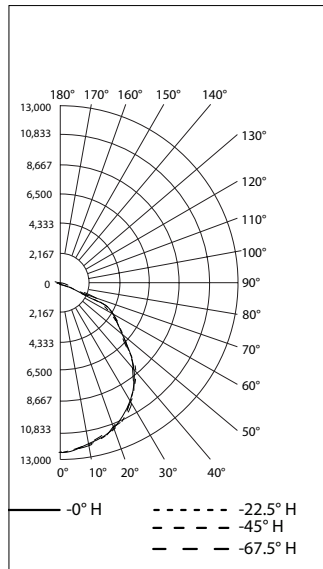
Photometric Data — DATA SHOWN IS ABSOLUTE

Type V, Frosted Glass, 5000K CCT

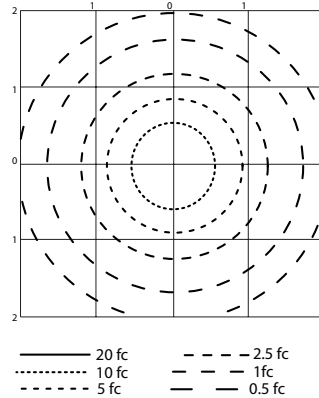
REPORT NUMBER: BHLPL3CFMNB

Luminaire Lumens 32,107

POLAR CANDELA DISTRIBUTION



ISOFOOT CANDLE PLOT



ZONAL LUMEN SUMMARY

Zone	Lumens	% Luminaire
0-30	9,470.7	29.5%
0-40	15,360.8	47.8%
0-60	26,252.9	81.8%
60-90	5,851.6	18.2%
70-100	2,251.6	7%
90-120	0	0%
0-90	32,104.5	100%
90-180	0	0%
0-180	32,104.5	100%

LUMENS PER ZONE

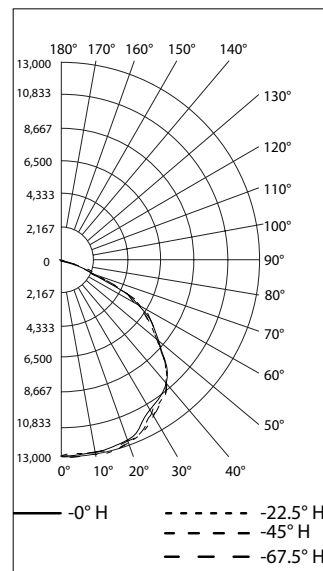
Zone	Lumens	% Total	Zone
0-10	1,160.6	3.6%	90-100
10-20	3,319.7	10.3%	100-110
20-30	4,990.5	15.5%	110-120
30-40	5,890.0	18.3%	120-130
40-50	5,863.2	18.3%	130-140
50-60	5,028.9	15.7%	140-150
60-70	3,600.0	11.2%	150-160
70-80	1,879.7	5.9%	160-170
80-90	371.9	1.2%	170-180

Type V, Clear Glass, 5000K CCT

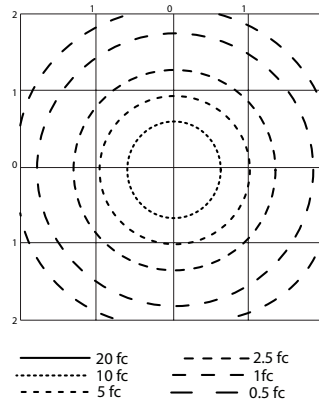
REPORT NUMBER: BHLPL3CGMNB

Luminaire Lumens 37,574

POLAR CANDELA DISTRIBUTION



ISOFOOT CANDLE PLOT



ZONAL LUMEN SUMMARY

Zone	Lumens	% Luminaire
0-30	10,427.6	27.8%
0-40	17,424.5	46.4%
0-60	31,266.2	83.2%
60-90	6,304.9	16.8%
70-100	1,911.4	5.1%
90-120	0	0%
0-90	37,571.2	100%
90-180	0	0%
0-180	37,571.2	100%

LUMENS PER ZONE

Zone	Lumens	% Total	Zone
0-10	1,219.3	3.2%	90-100
10-20	3,578.9	9.5%	100-110
20-30	5,629.5	15.0%	110-120
30-40	6,996.9	18.6%	120-130
40-50	7,346.6	19.6%	130-140
50-60	6,495.1	17.3%	140-150
60-70	4,393.6	11.7%	150-160
70-80	1,713.0	4.6%	160-170
80-90	198.3	0.5%	170-180

LED Luminaires | High Bay | Ordinary Location | NEC / CEC