

Explosionproof Rigmaster™ LED Series Luminaires

Standard or with Emergency Battery Backup
Hazardous Locations

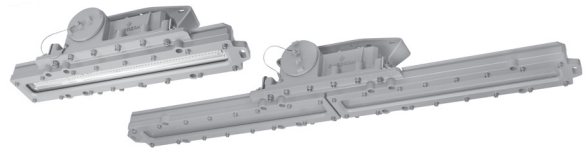
NEC/CEC: Class I, Division 1, Groups C and D | Class II, Division 1, Groups E, F, G | Class III | Class I Zone 1, Group IIB | Type 3R, 4, 4X | IP66 | Simultaneous Exposure | Suitable for Use in Wet Locations | Marine Outside Type (Salt Water) ①
Notable: American Bureau of Shipping (ABS) Certified ② | 4G Vibration

Applications

- For use in locations where:
 - Flammable gases, dusts and ignitable vapors are present
 - A high degree of corrosion resistance is required
 - Protection against dirt, water and moisture is necessary
 - Access to relamp is difficult
 - Extreme temperature conditions are present
- Typical applications include:
 - Drilling rigs
 - Offshore rigs
 - Oil refineries
 - Petrochemical facilities
 - Foundries
 - Waste and sewer treatment
 - Mining and underground tunnels
 - Power generation
 - Hydrogen and Biofuels plants
 - LNG (Liquid Natural Gas) plants
 - Select paint booth areas ③

Features

- All Models:
 - Low fixture profile allows installation in compact spaces.
 - Two sizes and output options deliver up to 7600 lumens.
- | Nominal Lumens ② | Fluorescent Equivalent | Replacement Lamp Type | Model |
|------------------|------------------------|-----------------------|-------|
| 4300 | 2 x 32W | T8 | ERM*2 |
| 7600 | 3 x 32W | T8 | ERM*4 |
- Choice of color temperature (CCT): 5000K cool white, 4000K neutral white or 3000K warm white with minimum 80 CRI.
 - Field replaceable lens, LED driver, battery pack and battery management module (BMM).
 - Two unique mounting bracket options allow for mounting in any location and retrofitting third party fixtures.
 - For ease of retrofitting, mounting brackets accommodate most bolt patterns for Crouse-Hinds™ ±, Dialight™ * and other manufacturers. See *Mounting Bracket Selection Guide*.
 - Power leads are shipped with wire-nuts as standard.
 - Loop in/out wiring capability for interconnecting fixtures.
 - Precision threaded wire cover provides hassle free access to wiring department for easy installation and maintenance.
 - Up to 4 casted points for secondary safety retention.
 - Standard 6 kV/3 kA surge protection.
 - Fixture position locking mechanism provides ease and consistency of aiming.
 - Rugged housing with superior thermal design translates to long luminaire life.
 - LED L70 of 60,000 hours reported at +65 °C (+149 °F).
 - Photometric data and electronic drawings available upon request.
 - 5 year standard warranty.
- Standard Model:
 - Ambient Temperature ①: -40°C to +65°C (-40°F to +149°F).
 - Screw-type terminal block can accept UL/CSA 22-12 AWG wire. ①
 - Emergency Battery Backup Model:
 - Ambient Temperature: -20°C to +55°C (-4°F to +131°F).



- Suitable for mounting heights up to 4.6 m (15 ft) for 90 minute duration and up to 3.7 m (12 ft) for 180 minute duration.

Options

- All Models:
 - Brackets can be factory installed or purchased separately.
 - Safety cable can be purchased separately or configured as an add on option to be shipped with the LED fixture.
 - Available with 3/4" or 1/2" NPT threaded hubs.
- Standard Model:
 - Clear or diffused polycarbonate lens.
 - Wirenuts or screw terminal blocks ③ available.
- Emergency Battery Backup Model:
 - 90 or 180 minutes of emergency battery back up available.

Standard Materials

- Housing: copperfree (4/10 of 1% max.) aluminum
- Lens: thermal shock- and impact-resistant glass lens
- Gasket: silicone rubber
- Bolts: Highly corrosion resistant stainless steel (SS 316)
- Close up plugs: (1) aluminum provided
- Mounting brackets: zinc plated steel

Standard Finishes

- Housing: gray epoxy powder coat finish, electrostatically applied for complete uniform protection

NEC/CEC Certifications and Compliances

- All Models:
 - UL Standard: UL 50 (13th Ed.); UL 50E (2nd Ed.); UL 844 (13th Ed.); UL 1598 (4th Ed.); UL 1598A (1st Ed.)①; UL 8750 (2nd Ed.); UL 924 (10th Ed.)
 - CSA Standard: CSA C22.2 No. 94.1-15; CSA 22.2 No 94.2 -15; CSA C22.2 No 137-18; CSA 22.2 No 250.0-18; CSA C22.2 No 250.13-17; CSA C22.2 No 60529 -16; CSA C22.2 No 141-15
 - ANSI Standard: ANSI/IEC 60529
- Standard Model:
 - UL Certified, File Number: E10444
 - Vibration Rating: 4G, 2 hours, 3 axis at first mode resonant frequency
- Emergency Battery Backup Model:
 - UL Certified, File Number: E175025
 - Vibration Rating: 3G, 2 hours, 3 axis at first mode resonant frequency

ABS Certifications

- ERM: 19-HS1903883-PDA

DesignLights™ Consortium

- Check DLC QPL for current list of products.

Related Products

- Industrial Rigmaster LED Series Luminaires
- Rigmaster LED Series Luminaires

① Applicable to standard (non emergency) fixtures only.

② Nominal lumen value for 5000K, clear Lens. Detailed lumen information is provided in the "Lumen Output (Efficacy)" tables.

③ Suitable for use in applications described under NEC 516.6(C)(1) and 516.6(C)(2), 2020 edition.

± Crouse-Hinds is a registered trademark of Eaton Corporation.

* Dialight is a registered trademark of Dialight.

Explosionproof Rigmaster™ LED Series Luminaires

Standard or with Emergency Battery Backup

Hazardous Locations

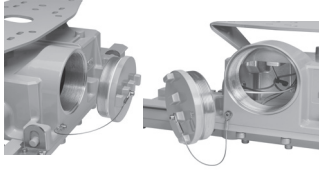
NEC/CEC: Class I, Division 1, Groups C and D | Class II, Division 1, Groups E, F, G | Class III | Class I Zone 1, Group IIB | Type 3R, 4, 4X | IP66 | Simultaneous Exposure |

Suitable for Use in Wet Locations | Marine Outside Type (Salt Water) ①

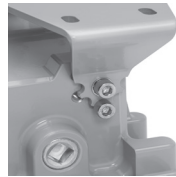
Notable: American Bureau of Shipping (ABS) Certified ② | 4G Vibration

Illustrated Features — All Models

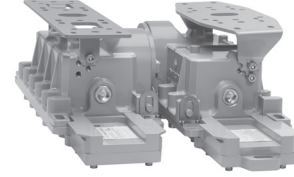
Flexibility and Modular Design



Precision threaded wirebox and cover allows hassle free access to power leads for easy wiring and maintenance in challenging conditions. Cover is secured with a safety chain to prevent accidental disengagement and enhances workplace safety.



Notched position locking mechanism enables **multiple fixtures to be aimed consistently** without spending significant time.



Rigmaster offers a NPT hub on each end for through wiring. The power leads are placed inside the wiring compartment and can be easily accessed by removing the **tool-less wire box cover**.

Choose from **three color temperatures (CCT)**: 3000K, 4000K, and 5000K.

Standard linear light distribution pattern: wide distribution maximizes spread and work plane brightness to optimize number of luminaires needed.

Configurable Options



Mounting Brackets: ②③
Choose to mount your Rigmaster using one of these distinctly designed brackets to best suit your installation needs. All brackets can be factory installed to save time in the field or purchased separately.

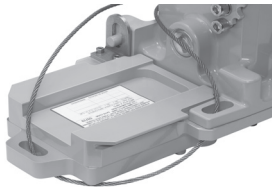


ERMLSB Large Swivel Bracket:
Can be used to tilt and aim the fixture up to 90 degrees in increments of 15 degrees using the pre-notched locking mechanism.



ERMLPB Low Profile Bracket:
This fixed position bracket can be used to lower overall mounting profile in low ceiling applications.

Safety Features



Retention Points:
Up to four points for secondary retention provide protection against in-field vibration.



Safety cables ③:
Can be purchased separately or included with fixture to reduce ordering and receiving complexity.

Illustrated Features — Standard Models

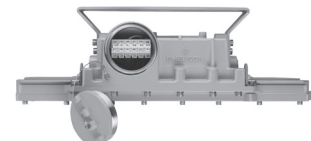
Configurable Options



Clear or Diffused Polycarbonate Lens: Select a clear or diffused polycarbonate lens for the optimal level of work plane brightness and visual comfort. These lenses are field interchangeable for convenience and flexibility.



Wirenuts or Screw Terminal Blocks ①: Choose between wirenuts and screw terminal blocks to suit end user wiring preferences. Terminal blocks support UL/CSA 22 to 12 AWG wire.



① Applicable to standard (non emergency) fixtures only.

② Brackets and safety cables can be ordered separately or included with fixture. See Ordering Table for more information.

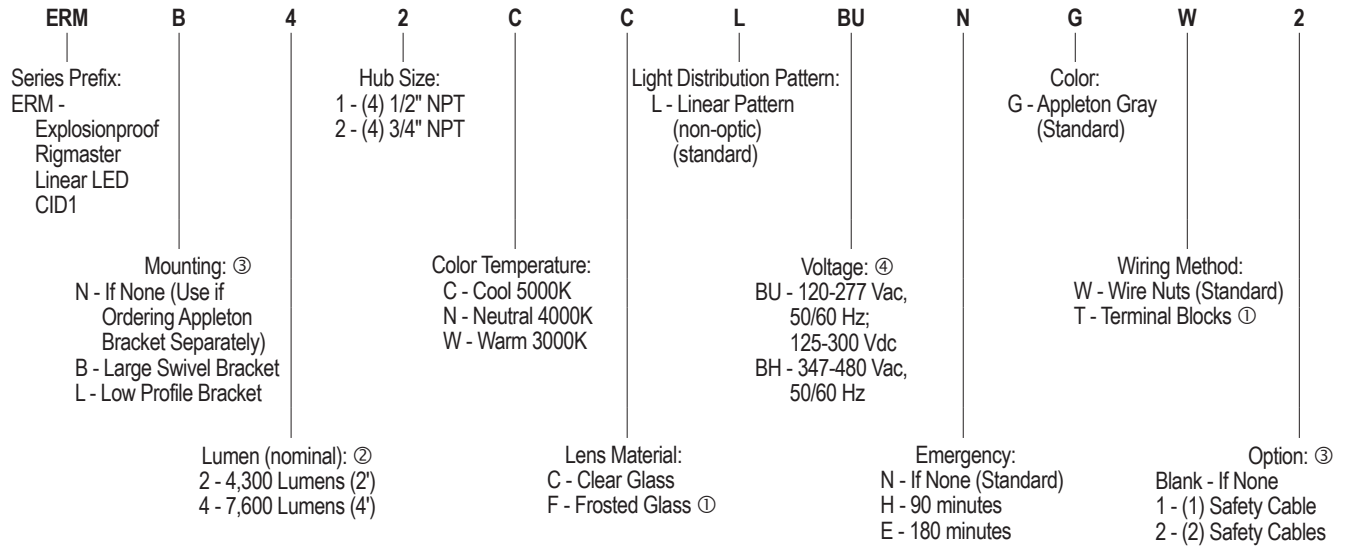
③ Mounting Brackets compatible with standard and emergency versions are not the same. please refer to mounting bracket details on page 9 for details.

Explosionproof Rigmaster™ LED Series Luminaires

Standard or with Emergency Battery Backup
Hazardous Locations

NEC/CEC: Class I, Division 1, Groups C and D | Class II, Division 1, Groups E, F, G | Class III | Class I Zone 1, Group IIB | Type 3R, 4, 4X | IP66 | Simultaneous Exposure |
Suitable for Use in Wet Locations | Marine Outside Type (Salt Water) ①
Notable: American Bureau of Shipping (ABS) Certified ② | 4G Vibration

Order Using Catalog Numbering Guide — Explosionproof Rigmaster™ LED Series Luminaires



Lumen Output (Efficacy) — Standard Model — Standard Mode ⑤

Model	Fluorescent Equivalency	Light Distribution Pattern	CCT (Correlated Color Temperature)	CRI (Color Rendering Index)	Lumen Output	Efficacy (lm/W)	CCT	CRI	Lumen Output	Efficacy (lm/W)	CCT	CRI	Lumen Output	Efficacy (lm/W)
Clear Glass Lens — Standard or Emergency Model — Standard Mode														
ERM*2	2 x 32W	Linear	3000K	80	4070	123	4000K	80	4125	125	5000K	80	4310	131
ERM*4	3 x 32W	Linear	3000K	80	7100	129	4000K	80	7200	131	5000K	80	7530	137
Frosted Glass Lens — Standard Model — Standard Mode ①														
ERM*2	2 x 32W	Linear	3000K	80	3040	92	4000K	80	3080	93	5000K	80	3190	97
ERM*4	3 x 32W	Linear	3000K	80	5230	95	4000K	80	5310	97	5000K	80	5490	100

Lumen Output (Efficacy) — Emergency Model — Emergency Mode ④ ⑤

Model	Emergency Duration in Minutes	Light Distribution Pattern	CCT (Correlated Color Temperature)	CRI (Color Rendering Index)	Lumen Output	Efficacy (lm/W)	CCT	CRI	Lumen Output	Efficacy (lm/W)	CCT	CRI	Lumen Output	Efficacy (lm/W)
Clear Glass Lens														
ERM*2	90	Linear	3000K	80	1200	N/A	4000K	80	1260	N/A	5000K	80	1350	N/A
ERM*4	180	Linear	3000K	80	720	N/A	4000K	80	760	N/A	5000K	80	800	N/A

① Applicable to standard (non emergency) fixtures only.

② For lumen output information, see Lumen Output (Efficacy) Table.

③ Brackets and safety cables can be ordered separately or included with fixture. See Mounting Brackets Table for more information.

④ Emergency battery back up version is only available with BU voltage configuration for 120-277 Vac operation.

⑤ All lumen values are typical (tolerance +/- 10%).

Explosionproof Rigmaster™ LED Series Luminaires

Standard or with Emergency Battery Backup

Hazardous Locations

NEC/CEC: Class I, Division 1, Groups C and D | Class II, Division 1, Groups E, F, G | Class III | Class I Zone 1, Group IIB | Type 3R, 4, 4X | IP66 | Simultaneous Exposure |

Suitable for Use in Wet Locations | Marine Outside Type (Salt Water) ①

Notable: American Bureau of Shipping (ABS) Certified ② | 4G Vibration

Electrical Specifications ②

Model	Voltage	Input Power (Watts)	Input Current (Amps)	Power Factor (PF)	Total Harmonic Distortion (THD)
Standard Model					
ERM*2	120 Vac	33	0.28	>0.9	<20
	277 Vac	33	0.12	>0.9	<20
	125 Vdc	33	0.27	NA	NA
	300 Vdc	33	0.11	NA	NA
	347 Vac	36	0.11	>0.9	<20
	480 Vac	36	0.08	>0.9	<20
ERM*4	120 Vac	55	0.47	>0.9	<20
	277 Vac	55	0.20	>0.9	<20
	125 Vdc	55	0.44	NA	NA
	300 Vdc	55	0.18	NA	NA
	347 Vac	56	0.16	>0.9	<20
	480 Vac	56	0.12	>0.9	<20
Emergency Model					
ERM*2	120 Vac	39	0.35A	>0.9	<20
	277 Vac	39	0.15A	>0.9	<20
ERM*4	120 Vac	60	0.57A	>0.9	<20
	277 Vac	60	0.20A	>0.9	<20

NEC/CEC Temperature Codes

Model	Ambient Temperature °C (°F)	Supply wire Temperature °C (°F)	Class I, Division 1, Groups C, D	Class II, Division 1, Groups E, F, G	Simultaneous Class I Division 1, Groups C, D and Class II Division 1 Groups E, F, G
Standard Model — Ambient Temperature Range: -40 °C to +65 °C (-40 °F to +149 °F)					
ERM*2	+40 (+104)		T6	T6	T6
	+55 (+131)	+90 (+194)	T6	T6	T6
	+65 (+149)		T6	T5	T5
ERM*4	+40 (+104)		T6	T6	T6
	+55 (+131)	+90 (+194)	T6	T6	T6
	+65 (+149)		T6	T5	T5
Emergency Model — Ambient Temperature Range: -20 °C to +55 °C (-4 °F to +131 °F)					
ERM*2	+40 (+104)	+90 (+194)	T6	T6	T6
	+55 (+131)		T6	T6	T6
ERM*4	+40 (+104)	90 (194)	T6	T6	T6
	+55 (+131)		T6	T6	T6

"T" Numbers Represent the Maximum Internal Temperature ③ or Maximum Surface Temperature ④

"T" #	T1	350	325	T2	T2A	T2B	T2C	T2D	T3	T3A	T3B	T3C	T4	T4A	T5	T6
Temp. Range °C (°F)	+351 to +450 (+664 to +842)	+326 to +350 (+619 to +662)	+301 to +325 (+574 to +617)	+281 to +300 (+538 to +572)	+261 to +280 (+502 to +536)	+231 to +260 (+448 to +500)	+216 to +230 (+421 to +446)	+201 to +215 (+394 to +419)	+181 to +200 (+358 to +392)	+166 to +180 (+331 to +356)	+161 to +165 (+322 to +329)	+136 to +160 (+277 to +320)	+121 to +135 (+250 to +275)	+101 to +120 (+214 to +248)	+86 to +100 (+187 to +212)	+85 (+185)

① Applicable to standard (non emergency) fixtures only.

② All values are typical (tolerance +/-10%).

③ T numbers represent the maximum internal temperature for Class I, Division 1 and Class II, Division 1 locations designated by the NEC.

④ T numbers represent the maximum surface temperature under a dust blanket for Class II, Division 2 as designated by the NEC.

Explosionproof Rigmaster™ LED Series Luminaires

With Emergency Battery Backup

Hazardous Locations

NEC/CEC: Class I, Division 1, Groups C and D | Class II, Division 1, Groups E, F, G | Class III | Class I Zone 1, Group IIB | Type 3R, 4, 4X | IP66 | Simultaneous Exposure |

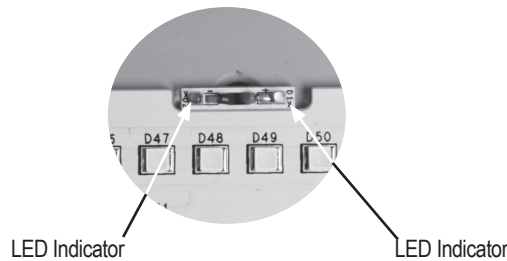
Suitable for Use in Wet Locations | Marine Outside Type (Salt Water) ①

Notable: American Bureau of Shipping (ABS) Certified ① | 4G Vibration

Automatic Testing System (ATS) — Emergency Battery Backup Model — Functionality ①

Functional	Full Duration
Starts within 24 to 45 hours after the initial powerup of the module	Starts within 5 to 26 days after the initial power of the module
Occurs every 14 days after the initial aforementioned functional test	Occurs every 364 days after the initial aforementioned functional test
Lasts for 30 seconds	Lasts for the full duration of the rated emergency period

At the completion of functional and full duration tests, LED indicator will display the status of the emergency luminaire when AC is present



LED Signals

Indicator Color	Timing	Description
Green	1 sec ON: 1 sec OFF	Normal charging ok, Battery not yet fully charged, No fault detected, Testing ok
Green	0.25 sec ON: 0.25 sec OFF	Functional / Duration Self-Test on-going
Green	Steady ON	Charging ok, Battery fully charged, No fault detected, Testing ok
Red	1 sec ON: 1 sec OFF	Fault condition. Installation issue. Battery is reverse, not connected or shorted. Functional test failure, full duration test failure
LED Indicators OFF, LED Array ON	LED Indicator Lights (Red and Green) OFF	No AC, Emergency mode ON

① Applicable to standard (non emergency) fixtures only.

Explosionproof Rigmaster™ LED Series Luminaires

Standard or with Emergency Battery Backup

Hazardous Locations

NEC/CEC: Class I, Division 1, Groups C and D | Class II, Division 1, Groups E, F, G | Class III | Class I Zone 1, Group IIB | Type 3R, 4, 4X | IP66 | Simultaneous Exposure |

Suitable for Use in Wet Locations | Marine Outside Type (Salt Water) ①

Notable: American Bureau of Shipping (ABS) Certified ② | 4G Vibration

Effective Projected Area (EPA) Rating in m² (ft²)

Physical coefficient used to evaluate the wind-induced loads expected on a lighting fixture: APA (Actual Projected Area) x Coefficient of Drag = EPA

	0° Angle ②	0° Angle ③	15° Angle	30° Angle	45° Angle	60° Angle	90° Angle
ERM2	0.028 (0.30)	0.061 (0.66)	0.074 (0.80)	0.086 (0.93)	0.096 (1.03)	0.101 (1.09)	0.104 (1.12)
ERM2*H/E	0.035 (0.38)	0.082 (0.88)	0.091 (0.98)	0.099 (1.07)	0.109 (1.17)	0.111 (1.20)	0.111 (1.19)
ERM4	0.028 (0.30)	0.083 (0.89)	0.095 (1.02)	0.136 (1.46)	0.153 (1.65)	0.164 (1.77)	0.162 (1.84)
ERM4*H/E	0.017 (0.18)	0.092 (0.99)	0.111 (1.20)	0.128 (1.38)	0.135 (1.45)	0.144 (1.55)	0.164 (1.76)


Replacement Lenses — All Models

Description	Luminaire Model	Quantity Per Luminaire	Weight in kg (lbs)	Catalog Number
Clear Glass Lens	ERM*2	1	1.35 (2.98)	ERMCL
	ERM*4	2		

Replacement Lenses — Standard Model

Description	Luminaire Model	Quantity Per Luminaire	Weight in kg (lbs)	Catalog Number
Frosted Glass Lens	ERM*2	1	1.35 (2.98)	ERMFL
	ERM*4	2		

Accessories and Replacement Parts — All Models

Description	Weight in kg (lbs)	Catalog Numbers
 Safety Cable — Stainless Steel	0.2 (0.4)	LEDSC

Accessories and Replacement Parts — Emergency Model

Description	Weight in kg (lbs)	Catalog Numbers
Replacement Battery — Management Module	1.0 (2.2)	BMMLLED
Replacement Battery Pack	0.7 (1.6)	BMMRM

Replacement Drivers — All Models

Luminaire Model	Voltage	Wattage	Constant Current Settings	Catalog Number
ERM*2	50W	BU	600mA	APM050C135UD060
ERM*2	50W	BH	600mA	APM050C135HD060
ERM*4	50W	BU	1040mA	APM050C135UD104
ERM*4	50W	BH	1040mA	APM050C135HD104

① Applicable to standard (non emergency) fixtures only.

② Wind direction: towards the sides of the luminaire (driver box) where the cable entry hubs are located.

③ Wind direction: towards the front or back of the luminaire.

Explosionproof Rigmaster™ LED Series Luminaires

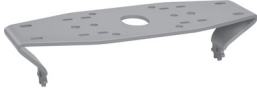



Standard or with Emergency Battery Backup
Hazardous Locations

NEC/CEC: Class I, Division 1, Groups C and D | Class II, Division 1, Groups E, F, G | Class III | Class I Zone 1, Group IIB | Type 3R, 4, 4X | IP66 | Simultaneous Exposure |

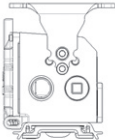

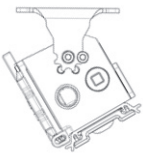
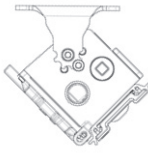
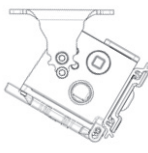
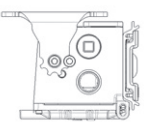
Suitable for Use in Wet Locations | Marine Outside Type (Salt Water) ①

Notable: American Bureau of Shipping (ABS) Certified ① | 4G Vibration

Mounting Brackets

	Description	Weight in kg (lbs)	Catalog Number
Standard Model			
	Large Swivel Bracket	1.5 (3.3)	ERMLSB
	Low Profile Bracket	1.3 (2.8)	ERMLPB
Emergency Model			
	Emergency Swivel Bracket	1.8 (4.0)	ERMHLSB
	Emergency Low Profile Bracket	1.6 (3.5)	ERMHLPB

Bracket Mounting Angles

0°	15°	30°	45°	60°	90°
					

① Applicable to standard (non emergency) fixtures only.

Explosionproof Rigmaster™ LED Series Luminaires

Standard or with Emergency Battery Backup

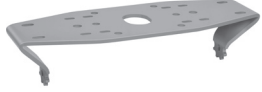

Hazardous Locations

NEC/CEC: Class I, Division 1, Groups C and D | Class II, Division 1, Groups E, F, G | Class III | Class I Zone 1, Group IIB | Type 3R, 4, 4X | IP66 | Simultaneous Exposure |



Suitable for Use in Wet Locations | Marine Outside Type (Salt Water) ①

Notable: American Bureau of Shipping (ABS) Certified ② | 4G Vibration

Mounting Brackets

	Description	Weight in kg (lbs)	Catalog Number
Standard Model			
	Large Swivel Bracket	1.5 (3.3)	ERMLSB
	Low Profile Bracket	1.3 (2.8)	ERMLPB

Emergency Model

	Emergency Swivel Bracket	1.8 (4.0)	ERMHLSB
	Emergency Low Profile Bracket	1.6 (3.5)	ERMHLPB

Mounting Bracket Selection Guide ②

For customers trying to retrofit an existing fixture and match bolt patterns, use the table below as a guide to select the best bracket to suit your needs

Other Manufacturer	Other Manufacturer Part Number	Description	Weight kg (lbs)	Catalog Number	Description	Weight kg (lbs)	Catalog Number
Standard Version							
Crouse Hinds™+	DP1057MTK	Large Swivel Bracket	1.5 (3.3)	ERMLSB	Low Profile Bracket	1.3 (2.8)	ERMLPB
Dialight™*	LTXW4	Large Swivel Bracket	1.5 (3.3)	ERMLSB	Low Profile Bracket	—	—
	LSXW5	Large Swivel Bracket	—	—	Low Profile Bracket	1.3 (2.8)	ERMLPB
AZZ™* Rig-A-Lite™*	53050	Large Swivel Bracket	1.5 (3.3)	ERMLSB	Low Profile Bracket	—	—
Appleton Accessories	GRFC75A junction box	Large Swivel Bracket	1.5 (3.3)	ERMLSB	Low Profile Bracket	—	—
Emergency Version							
Crouse Hinds™+	DP1057MTK	Emergency Swivel Bracket	1.8 (4.0)	ERMHLSB	Emergency Low Profile Bracket	1.6 (3.5)	ERMHLPB
Dialight™*	LTXW4	Emergency Swivel Bracket	1.8 (4.0)	ERMHLSB	Emergency Low Profile Bracket	1.6 (3.5)	ERMHLPB
	LSXW5	Emergency Swivel Bracket	1.8 (4.0)	ERMHLSB	Emergency Low Profile Bracket	1.6 (3.5)	ERMHLPB
AZZ™* Rig-A-Lite™*	53050	Emergency Swivel Bracket	1.8 (4.0)	ERMHLSB	Emergency Low Profile Bracket	—	—

① Applicable to standard (non emergency) fixtures only.

② The above information is strictly for guidance purposes and does not guarantee compatibility and fit. Please carefully review bolt patterns on each bracket to ensure it meets your needs.

+ Crouse-Hinds is a registered trademark of Eaton Corporation.

* Dialight is a registered trademark of Dialight.

* AZZ and Rig-A-Lite are registered trademarks of AZZ.

Explosionproof Rigmaster™ LED Series Luminaires

Standard or with Emergency Battery Backup
Hazardous Locations

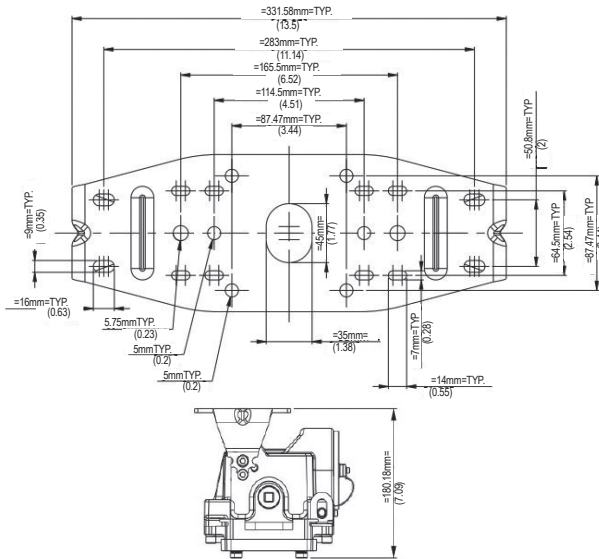
NEC/CEC: Class I, Division 1, Groups C and D | Class II, Division 1, Groups E, F, G | Class III | Class I Zone 1, Group IIB | Type 3R, 4, 4X | IP66 | Simultaneous Exposure |

Suitable for Use in Wet Locations | Marine Outside Type (Salt Water) ①

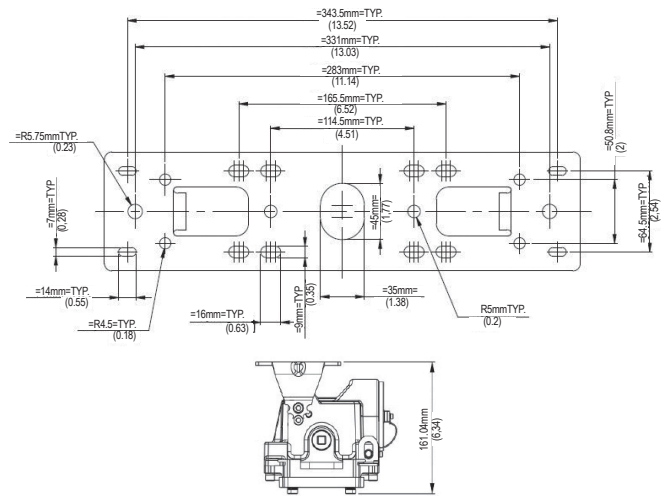
Notable: American Bureau of Shipping (ABS) Certified ① | 4G Vibration

Mounting Brackets — Dimensions in Millimeters (Inches) — Standard Model

ERMLSB - Large Swivel Bracket

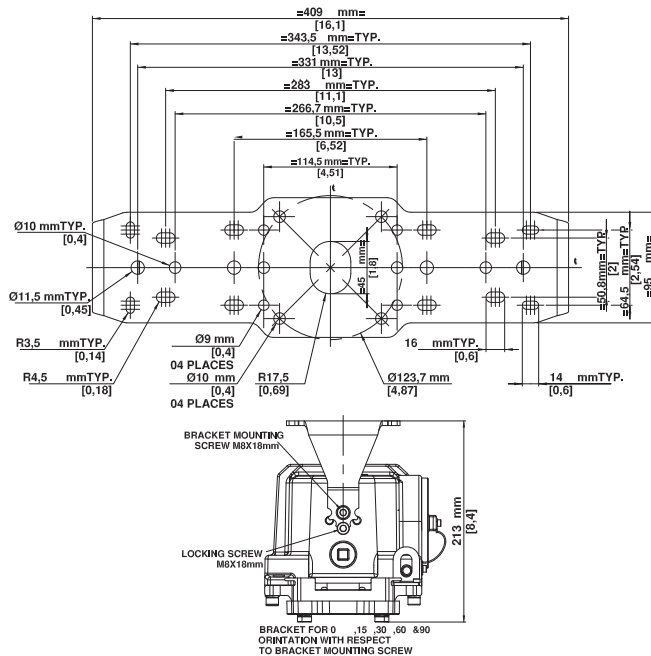


ERMLPB - Low Profile Bracket

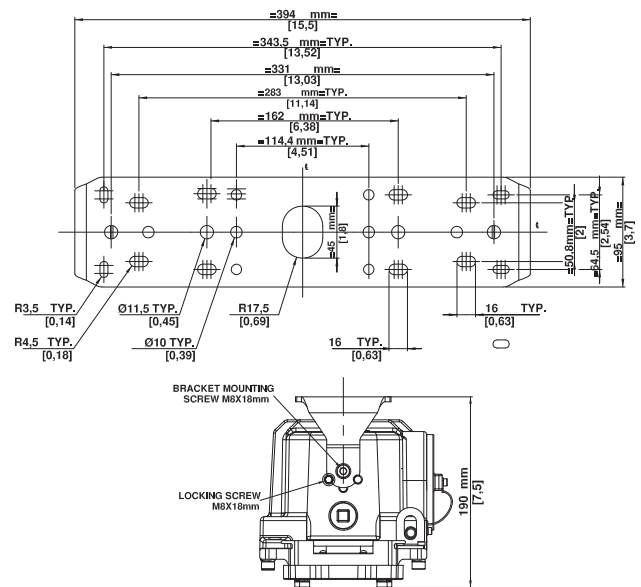


Mounting Brackets — Dimensions in Millimeters (Inches) — Emergency Model

ERMHLSB - Emergency Swivel Bracket



ERMHLPB - Emergency Low Profile Bracket



① Applicable to standard (non emergency) fixtures only.

Explosionproof Rigmaster™ LED Series Luminaires

Standard

Hazardous Locations

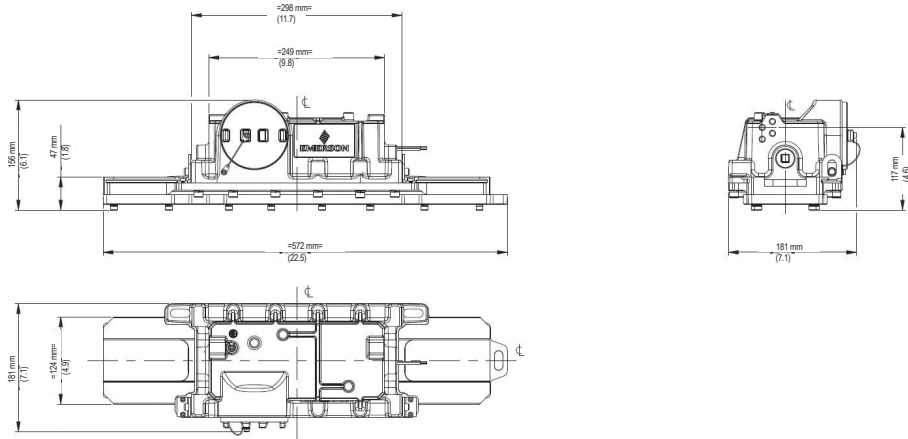
NEC/CEC: Class I, Division 1, Groups C and D | Class II, Division 1, Groups E, F, G | Class III | Class I Zone 1, Group IIB | Type 3R, 4, 4X | IP66 | Simultaneous Exposure |

Suitable for Use in Wet Locations | Marine Outside Type (Salt Water) ①

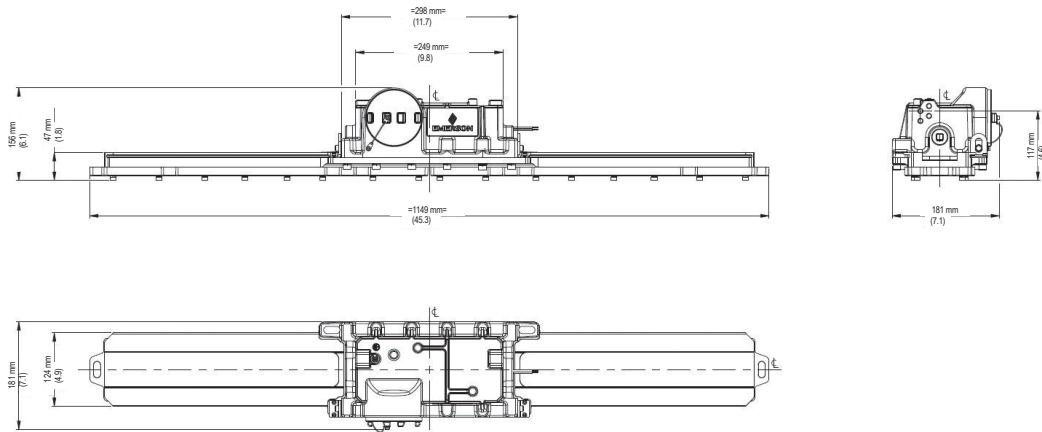
Notable: American Bureau of Shipping (ABS) Certified ② | 4G Vibration

Dimensions in Millimeters (Inches) — Standard Model

ERM*2



ERM*4



Luminaire Specifications

Model	Weight in kg (lb) ②	Length in m (ft)
ERM*2	8.9 (19.6)	0.57 (1.9)
ERM*4	13.4 (29.5)	1.15 (3.8)

① Applicable to standard (non emergency) fixtures only.

② Weight of brackets are not included. See Mounting Brackets Table for details.

Explosionproof Rigmaster™ LED Series Luminaires

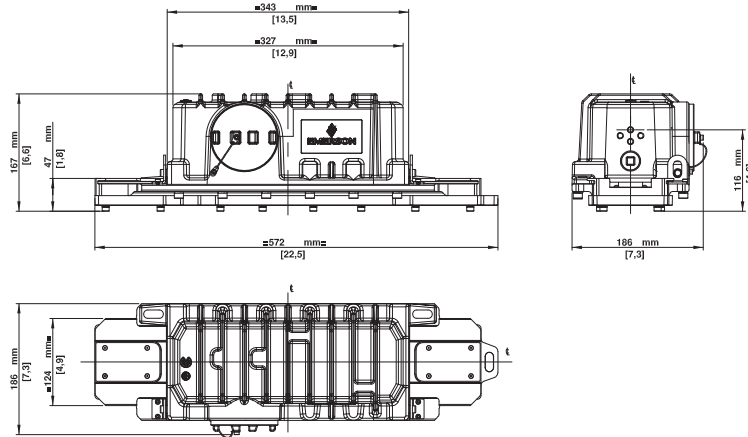
With Emergency Battery Backup

Hazardous Locations

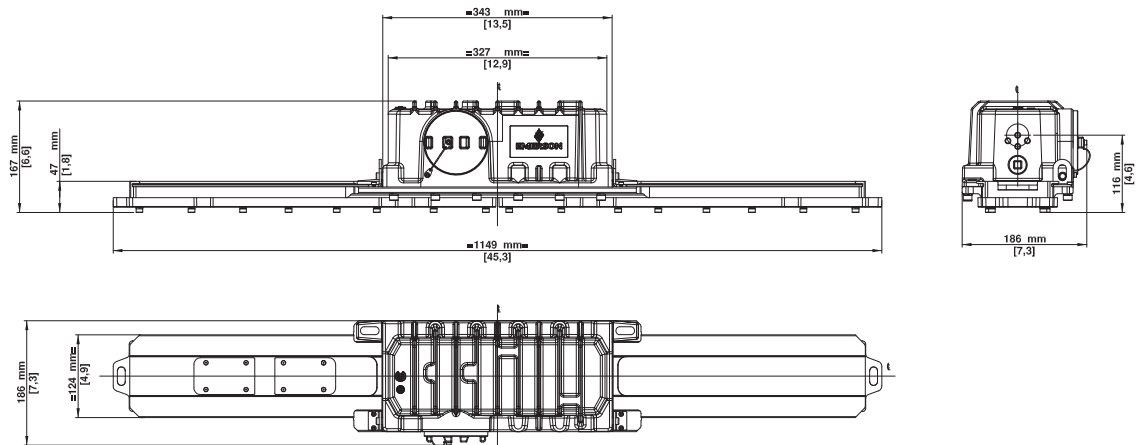
NEC/CEC: Class I, Division 1, Groups C and D | Class II, Division 1, Groups E, F, G | Class III | Class I Zone 1, Group IIB | Type 3R, 4, 4X | IP66 | Simultaneous Exposure | Suitable for Use in Wet Locations | Marine Outside Type (Salt Water) ①
 Notable: American Bureau of Shipping (ABS) Certified ② | 4G Vibration

Dimensions in Millimeters (Inches) — Emergency Model

ERM*2



ERM*4



Luminaire Specifications

Model	Weight in kg (lb) ②	Length in m (ft)
ERM*2 — Emergency	12.8 (28.2)	0.57 (1.9)
ERM*4 — Emergency	18.4 (40.6)	1.15 (3.8)

① Applicable to standard (non emergency) fixtures only.

② Weight of brackets are not included. See Mounting Brackets Table for details.

Explosionproof Rigmaster™ LED Series Luminaires

Standard

Hazardous Locations

NEC/CEC: Class I, Division 1, Groups C and D | Class II, Division 1, Groups E, F, G | Class III | Class I Zone 1, Group IIB | Type 3R, 4, 4X | IP66 | Simultaneous Exposure |

Suitable for Use in Wet Locations | Marine Outside Type (Salt Water) ①

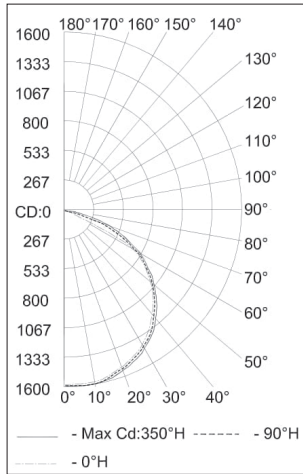
Notable: American Bureau of Shipping (ABS) Certified ① | 4G Vibration

Photometric Data — DATA SHOWN IS ABSOLUTE

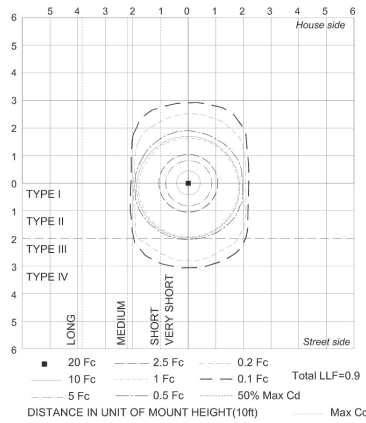
2ft, Clear Glass Lens, 5000K CCT

Luminaire Lumens 4325.5

POLAR CANDELA DISTRIBUTION



ISOFOOT CANDLE PLOT



ZONAL LUMEN SUMMARY

Zone	Lumens	% Lamp	% Luminaire
0-30	1,246.9	28.8%	28.8%
0-40	2,062.9	47.7%	47.7%
0-60	3,703.1	85.6%	85.6%
60-90	609.8	14.1%	14.1%
70-100	131.1	3%	3%
90-120	2.4	0.1%	0.1%
0-90	4,312.9	99.7%	99.7%
90-180	13.0	0.3%	0.3%
0-180	4,325.9	100%	100%

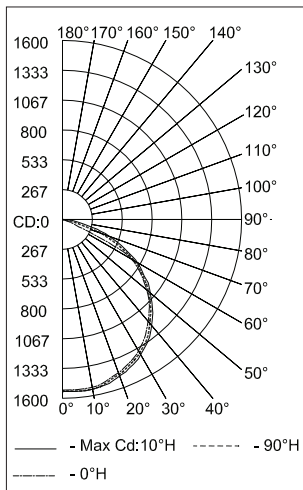
LUMENS PER ZONE

Zone	Lumens	% Total	Zone	Lumens	% Total
0-10	149.6	3.5%	90-100	0.2	0%
10-20	432.2	10.0%	100-110	0.7	0%
20-30	665.1	15.4%	110-120	1.5	0%
30-40	816.1	18.9%	120-130	2.1	0%
40-50	859.6	19.9%	130-140	2.4	0.1%
50-60	780.6	18.0%	140-150	2.3	0.1%
60-70	478.8	11.1%	150-160	1.9	0%
70-80	120.4	2.8%	160-170	1.4	0%
80-90	10.6	0.2%	170-180	0.5	0%

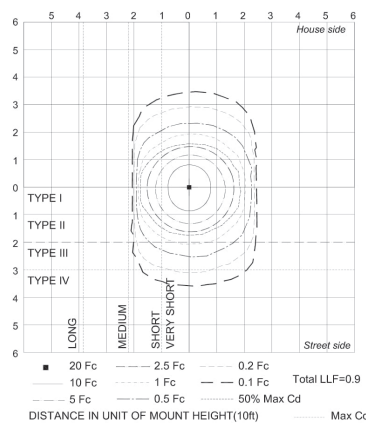
4ft, Clear Glass Lens, 5000K CCT

Luminaire Lumens 7646.5

POLAR CANDELA DISTRIBUTION



ISOFOOT CANDLE PLOT



ZONAL LUMEN SUMMARY

Zone	Lumens	% Lamp	% Luminaire
0-30	2,221.6	29.1%	29.1%
0-40	3,680.0	48.1%	48.1%
0-60	6,587.3	86.1%	86.1%
60-90	1,040.7	13.6%	13.6%
70-100	223.5	2.9%	2.9%
90-120	4.1	0.1%	0.1%
0-90	7,628.1	99.7%	99.8%
90-180	18.4	0.2%	0.2%
0-180	7,646.5	100%	100%

LUMENS PER ZONE

Zone	Lumens	% Total	Zone	Lumens	% Total
0-10	265.0	3.5%	90-100	0.5	0%
10-20	769.1	10.1%	100-110	1.3	0%
20-30	1,187.6	15.5%	110-120	2.3	0%
30-40	1,458.4	19.1%	120-130	3.0	0%
40-50	1,530.8	20.0%	130-140	3.2	0%
50-60	1,376.5	18.0%	140-150	3.1	0%
60-70	817.7	10.7%	150-160	2.5	0%
70-80	205.0	2.7%	160-170	1.8	0%
80-90	18.1	0.2%	170-180	0.7	0%

① Applicable to standard (non emergency) fixtures only.

Explosionproof Rigmaster™ LED Series Luminaires

With Emergency Battery Backup

Hazardous Locations

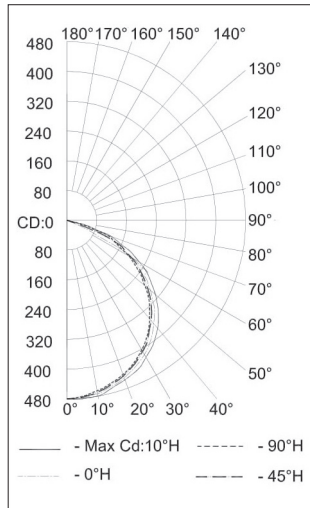
NEC/CEC: Class I, Division 1, Groups C and D | Class II, Division 1, Groups E, F, G | Class III | Class I Zone 1, Group IIB | Type 3R, 4, 4X | IP66 | Simultaneous Exposure | Suitable for Use in Wet Locations | Marine Outside Type (Salt Water) ①
 Notable: American Bureau of Shipping (ABS) Certified ① | 4G Vibration

Photometric Data — DATA SHOWN IS ABSOLUTE

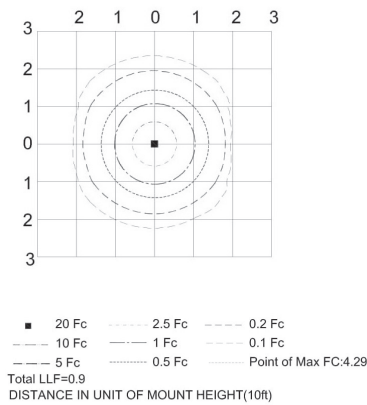
2ft Clear Glass Lens, 5000K CCT - 90 min Emergency Mode

Luminaire Lumens 1287.4

POLAR CANDELA DISTRIBUTION



ISOFOOT CANDLE PLOT



ZONAL LUMEN SUMMARY

Zone	Lumens	% Lamp
0-30	375.6	29.2%
0-40	620.0	48.2%
0-60	1107.3	86%
60-90	177.9	13.8%
70-100	37.6	2.9%
90-120	0.2	0%
0-90	1285.2	99.8%
90-180	2.2	0.2%
0-180	1287.4	100%

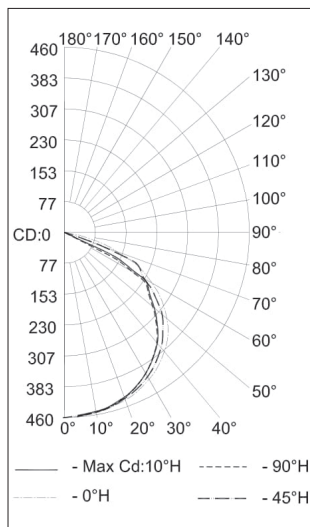
LUMENS PER ZONE

Zone	Lumens	% Total	Zone	Lumens	% Total
0-10	45.3	3.5%	90-100	0.0	0%
10-20	130.4	10.0%	100-110	0.0	0%
20-30	199.9	15.5%	110-120	0.1	0%
30-40	244.4	19.0%	120-130	0.3	0%
40-50	256.2	19.9%	130-140	0.5	0%
50-60	231.1	17.9%	140-150	0.5	0%
60-70	140.3	10.9%	150-160	0.4	0%
70-80	34.8	2.7%	160-170	0.3	0%
80-90	2.8	0.2%	170-180	0.1	0%

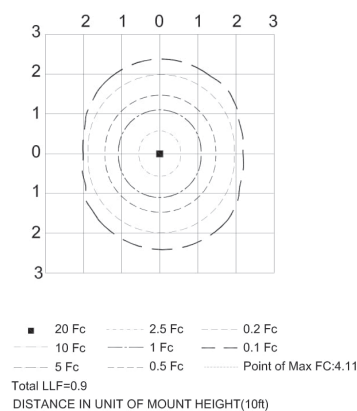
4ft Clear Glass Lens, 5000K CCT - 90 min Emergency Mode

Luminaire Lumens 1316.5

POLAR CANDELA DISTRIBUTION



ISOFOOT CANDLE PLOT



ZONAL LUMEN SUMMARY

Zone	Lumens	% Lamp
0-30	364.8	27.2%
0-40	608.8	46.2%
0-60	1115.0	84.7%
60-90	200.5	15.2%
70-100	46.1	3.5%
90-120	0.2	0%
0-90	1315.5	99.9%
90-180	1.0	0.1%
0-180	1316.5	100%

LUMENS PER ZONE

Zone	Lumens	% Total	Zone	Lumens	% Total
0-10	43.4	3.3%	90-100	0.0	0%
10-20	125.8	9.6%	100-110	0.1	0%
20-30	195.6	14.9%	110-120	0.1	0%
30-40	244.0	18.5%	120-130	0.2	0%
40-50	262.2	19.9%	130-140	0.2	0%
50-60	244.0	18.5%	140-150	0.2	0%
60-70	154.4	11.7%	150-160	0.1	0%
70-80	42.5	3.2%	160-170	0.1	0%
80-90	3.5	0.3%	170-180	0.0	0%

① Applicable to standard (non emergency) fixtures only.