

NEC/CEC Viamaster™ LED Series Luminaires

Standard or with Emergency Battery Backup

Hazardous Locations

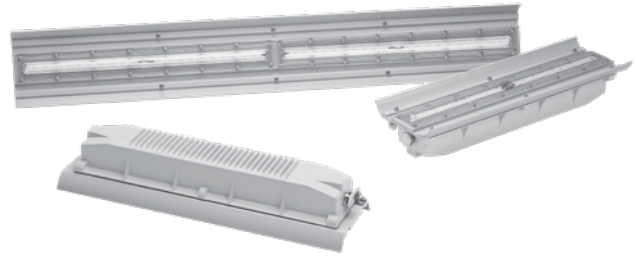
NEC/CEC Standard Model: Class I, Division 2, Groups A, B, C, D | Class I, Zone 2, Group IIC | Class II, Division 2, Groups F, G | Zone 22, Group IIIB | Class III | Type 3R, 4, 4X | IP66/IP67 |

Suitable for Use in Wet Locations | Marine Outside Type - For USA Only ⌘

NEC/CEC Emergency Battery Backup Model: Class I, Division 2, Groups A, B, C, D | Class I, Zone 2, Group IIC | Class II, Division 2, Groups F, G | Zone 22, Group IIIB | Class III | Type 3R, 4, 4X | IP66/67 | Suitable for Use in Wet Locations

Applications

- For use in locations where:
 - Flammable gases, vapors and dusts are present
 - A high degree of corrosion resistance is required
 - Protection against dirt, water and moisture is necessary
- Typical applications include:
 - Oil refineries
 - Petrochemical facilities
 - Pulp and paper mills
 - Food processing plants
 - Waste and sewer treatment
 - Underground tunnels
 - General manufacturing facilities
 - Hydrogen and Biofuels plants
 - LNG (Liquid Natural Gas) plants



Features

- All Models
 - 60,000+ hour LED life for years of maintenance free operation.
 - Lightweight design, hinged cover with captive screws, and terminal block wiring for easy installation and maintenance.
 - Contemporary, low profile design suitable for tight spaces.
 - Standard screw-type terminal block can accept UL/CSA 26 to 10 AWG wire.
 - Field replaceable LED driver and lens.
 - Industry-leading thermal management for safe, reliable operation over wide temperature range.
 - Standard 2 kV surge suppression.
 - Full range of lumen outputs, with light distribution equivalent to the Appleton FV Series fluorescent fixtures
 - Hinged cover with captive screws, and terminal block wiring for easy installation and maintenance.
 - Easy to retrofit in same mounting footprint as the Appleton FV Series fluorescent fixtures.
 - 2 opposing 3/4" NPT hubs with adjacent terminal blocks for thru wiring. (1) 3/4" NPT close up plug provided.
 - 5 year warranty for the luminaire. 3 year warranty for the battery.
- Standard Model:
 - Universal, high efficiency, driver covers voltage requirements for 120-277 Vac, 50/60 Hz +/- 10%.
 - Ambient Temperature: -40 °C up to +65 °C (-40 °F up to +149 °F).
- Emergency Battery Backup Model
 - Provides up to 1250 lumens illumination for 90 minutes of emergency lighting with clear lens.
 - Functional diagnostic test self-initiates every 14 days after initial start up.
 - Duration test is automatically performed once per year.
 - Green and Red LED lamps indicate charging status and provide fault warning.
 - Positive safety switch disconnects power between LEDs and battery management module to allow maintenance in hazardous locations.

- Universal, high efficiency, driver covers voltage requirements for 120-277 Vac, 50/60 Hz +/- 10%.
- Ambient Temperature: -20 °C up to +55 °C (-4 °F up to +131 °F).
- Field replaceable LED driver, battery management module (BMM), battery pack, and lens.
- 5 Cell NiMH battery pack for longer emergency capability.
- Plug in connectors on battery pack for easy maintenance.

Options

- Safety cable for fall safe retention; add suffix **-C** to the end of the catalog number.
- Diffused lens is available; add suffix **-D** to the end of the catalog number.
- Fusing is available; add suffix **-F** to the end of the catalog number. ⌘

Standard Materials

- Housing: copperfree (4/10 of 1% max.) aluminum
- Lens: thermal shock- and impact-resistant polycarbonate lens
- Gasket: silicone rubber, mechanically secured
- Bolts: stainless steel
- Close up plugs: nickel plated brass
- Mounting hardware: see ordering information

Standard Finishes

- Housing: gray polyester

NEC/CEC Certifications and Compliances

- All Models
 - UL Standard: UL 1598, UL 8750, UL 844
- Standard Model:
 - UL Standard: UL 924
 - cULus Certified: E165014
- Emergency Battery Backup Model
 - UL Standard: UL1598A, UL50E
 - cCSAus Certified: 065182. cULus E10444

DesignLights™ Consortium

- Check DLC QPL for current list of products.

⌘ Fusing option not available with Marine Outside Type (Salt Water) rating. Fusing option not permitted for cUL.

NEC/CEC Viamaster™ LED Series Luminaires

Standard or with Emergency Battery Backup

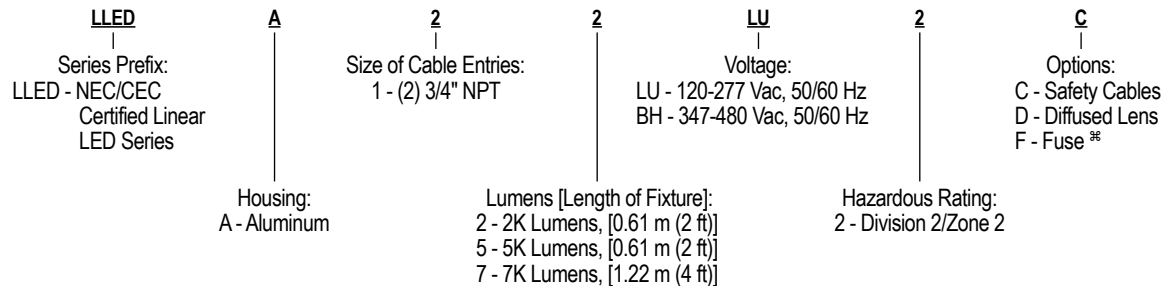
Hazardous Locations

NEC/CEC Standard Model: Class I, Division 2, Groups A, B, C, D | Class I, Zone 2, Group IIC | Class II, Division 2, Groups F, G | Zone 22, Group IIIB | Class III | Type 3R, 4, 4X | IP66/IP67 |

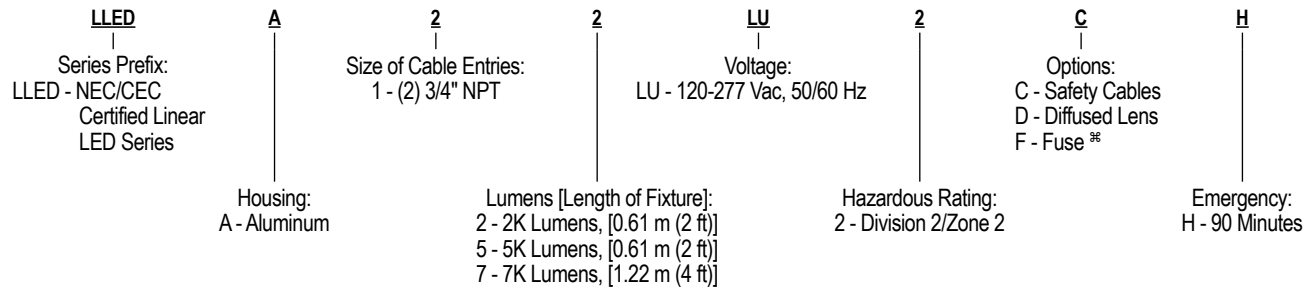
Suitable for Use in Wet Locations | Marine Outside Type - For USA Only ⌘

NEC/CEC Emergency Battery Backup Model: Class I, Division 2, Groups A, B, C, D | Class I, Zone 2, Group IIC | Class II, Division 2, Groups F, G | Zone 22, Group IIIB | Class III | Type 3R, 4, 4X | IP66/67 | Suitable for Use in Wet Locations

Order Using Catalog Numbering Guide — NEC/CEC Viamaster™ LED Series Luminaires — Standard Model



Order Using Catalog Numbering Guide — NEC/CEC Viamaster™ LED Series Luminaires — Emergency Battery Backup Model



Lumen Output (Efficacy) ①

Model	HID Equivalency	Light Distribution Pattern	CCT (Correlated Color Temperature)	CRI (Color Rendering Index)	Lumen Output	Efficacy (lm/W)
Clear Polycarbonate Lens — All Models						
LLED	1 x 32W	Linear	5650K	>70	2200	100
	2 x 32W				4400	97.8
	3 x 32W				7800	96.3
Diffused Polycarbonate Lens — Standard Model						
LLED	1 x 32W	Linear	5650K	>70	1800	81.8
	2 x 32W				3800	84.4
	3 x 32W				6400	79.0
Clear Polycarbonate Lens — Emergency Battery Backup Model — 90 Minute Emergency Mode						
LLED	1 x 32W	Linear	5650K	>70	1250	N/A
	2 x 32W					
	3 x 32W					
Diffused Polycarbonate Lens — Emergency Battery Backup Model — 90 Minute Emergency Mode						
LLED	1 x 32W	Linear	5650K	>70	1000	N/A
	2 x 32W					
	3 x 32W					

① All lumen values are typical (tolerance +/- 10%).

⌘ Fusing option not available with Marine Outside Type (Salt Water) rating. Fusing option not permitted for cUL.

NEC/CEC Viamaster™ LED Series Luminaires

Standard or with Emergency Battery Backup

Hazardous Locations

NEC/CEC Standard Model: Class I, Division 2, Groups A, B, C, D | Class I, Zone 2, Group IIC | Class II, Division 2, Groups F, G | Zone 22, Group IIIB | Class III | Type 3R, 4, 4X | IP66/IP67 |

Suitable for Use in Wet Locations | Marine Outside Type - For USA Only ⚠

NEC/CEC Emergency Battery Backup Model: Class I, Division 2, Groups A, B, C, D | Class I, Zone 2, Group IIC | Class II, Division 2, Groups F, G | Zone 22, Group IIIB | Class III | Type 3R, 4, 4X | IP66/67 | Suitable for Use in Wet Locations

Electrical Specifications ①

Model	Voltage	Input Power (Watts)	Input Current (Amps)	Power Factor (PF)	Total Harmonic Distortion (THD)
Standard Model					
LLED*2	120 Vac	22	.20	>0.95	<20%
	277 Vac	22	.12	>0.87	<20%
	347 Vac	22	.07	>0.95	<20%
	480 Vac	22	.06	>0.77	<20%
LLED*5	120 Vac	45	.37	>0.95	<20%
	277 Vac	45	.17	>0.95	<20%
	347 Vac	45	.14	>0.95	<20%
	480 Vac	45	.10	>0.95	<20%
LLED*7	120 Vac	81	.70	>0.95	<20%
	277 Vac	81	.31	>0.95	<20%
	347 Vac	81	.24	>0.95	<20%
	480 Vac	81	.18	>0.95	<20%
Emergency Battery Backup Model					
LLED*2	120 Vac	22	.20	>0.95	<20%
	277 Vac	22	.12	>0.87	<20%
LLED*5	120 Vac	45	.37	>0.95	<20%
	277 Vac	45	.17	>0.95	<20%
LLED*7	120 Vac	81	.70	>0.95	<20%
	277 Vac	81	.31	>0.95	<20%

LED Luminaires | Linear | Hazardous Location | NEC / CEC

① All values are typical (tolerance +/-10%). Same electrical ratings apply to each luminaire with different LED position, mounting versions and cable entries.

⚠ Fusing option not available with Marine Outside Type (Salt Water) rating. Fusing option not permitted for cUL.

NEC/CEC Viamaster™ LED Series Luminaires

Standard or with Emergency Battery Backup

Hazardous Locations

NEC/CEC Standard Model: Class I, Division 2, Groups A, B, C, D | Class I, Zone 2, Group IIC | Class II, Division 2, Groups F, G | Zone 22, Group IIIB | Class III | Type 3R, 4, 4X | IP66/IP67 |

Suitable for Use in Wet Locations | Marine Outside Type - For USA Only ⌘

NEC/CEC Emergency Battery Backup Model: Class I, Division 2, Groups A, B, C, D | Class I, Zone 2, Group IIC | Class II, Division 2, Groups F, G | Zone 22, Group IIIB | Class III | Type 3R, 4, 4X | IP66/67 | Suitable for Use in Wet Locations

Temperature Codes

Model	Max Ambient C° (F°)	Gas		Dust
		Class I, Division 2 Groups A, B, C, D ②	Class I, Zone 2 Group AEx ec IIC	Class II, Division 2, Groups E, F ③
Standard Models				
LLEDA12LU2	40 (104)	T4	T4	T5
	55 (131)	T4	T4	T5
	65 (149)	T4	T4	T4A
LLEDA12BH2	40 (104)	T4A	T4	T6
	55 (131)	T4A	T4	T5
	65 (149)	T4	T4	T4A
LLEDA15LU2	40 (104)	T4A	T4	T5
	55 (131)	T4	T4	T4A
	65 (149)	T4	T4	T4A
LLEDA15BH2	40 (104)	T4	T4	T5
	55 (131)	T4	T4	T4A
	65 (149)	T4	T4	T4A
LLEDA17LU2	40 (104)	T4A	T4	T5
	55 (131)	T5	T5	T4A
	65 (149)	T4	T4	T4A
LLEDA17BH2	40 (104)	T4A	T4	T5
	55 (131)	T4A	T4	T5
	65 (149)	T4	T4	T4A
Emergency Battery Backup Models				
LLEDA12LU2H	40 (104)	T4	T4	T6
	55 (131)	T3C	T3	T5
	65 (149)	T3C	T3	T4A
LLEDA15LU2H	40 (104)	T4A	T4	T5
	55 (131)	T4A	T4	T5
	65 (149)	T4	T4	T4A
LLEDA17LU2H	40 (104)	T4A	T4	T5
	55 (131)	T4	T4	T4A
	65 (149)	T4	T4	T4A

NEC/CEC — “T” Numbers Represent the Maximum Internal Temperature or Maximum Surface Temperature ②③

“T” #	T1	350	325	T2	T2A	T2B	T2C	T2D	T3	T3A	T3B	T3C	T4	T4A	T5	T6
Temp. Range °C (°F)	+351 to +450 (+664 to +842)	+326 to +350 (+619 to +662)	+301 to +325 (+574 to +617)	+281 to +300 (+538 to +572)	+261 to +280 (+502 to +536)	+231 to +260 (+448 to +500)	+216 to +230 (+421 to +446)	+201 to +215 (+394 to +419)	+181 to +200 (+358 to +392)	+166 to +180 (+331 to +356)	+161 to +165 (+322 to +329)	+136 to +160 (+277 to +320)	+121 to +135 (+250 to +275)	+101 to +120 (+214 to +248)	+86 to +100 (+187 to +212)	+85 (+185)

Note: Supply Wire Temperature for all: 75°C, 167°F

① All values are typical (tolerance +/-10%).

② T numbers represent the maximum internal temperature for Class I, Division 2 and Class I, Zone 2 locations designated by the NEC.

③ T numbers represent the maximum surface temperature under a dust blanket for Class II, Division 1 as designated by the NEC.

⌘ Fusing option not available with Marine Outside Type (Salt Water) rating. Fusing option not permitted for cUL.

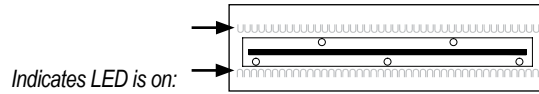
LED Luminaires | Linear | Hazardous Location | NEC/CEC

NEC/CEC Viamaster™ LED Series Luminaires

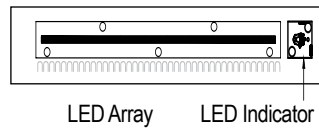
With Emergency Battery Backup
Hazardous Locations

NEC/CEC Emergency Battery Backup Model: Class I, Division 2, Groups A, B, C, D | Class I, Zone 2, Group IIC | Class II, Division 2, Groups F, G | Zone 22, Group IIIB | Class III | Type 3R, 4, 4X | IP66/67 | Suitable for Use in Wet Locations

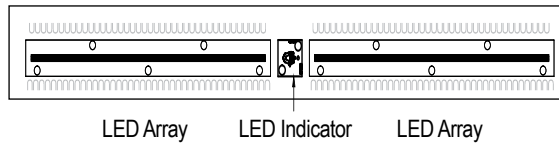
Emergency Battery Backup Model — Illustration of LED operation in Emergency Mode



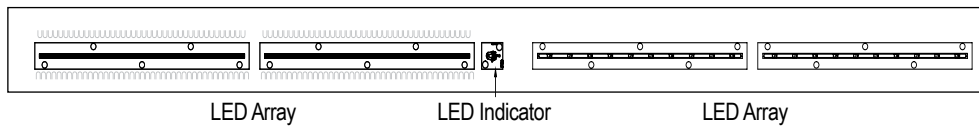
2000K Lumen — 0.843 m (3 ft) — Single Array ON



5000K Lumens — 0.843 m (3 ft) — Two Arrays ON



7000K Lumens — 1.22 m (4 ft) — Two Arrays ON, Two Arrays OFF



Battery Charging Circuit Specifications

Battery Charge Current:	Battery Intermittent Charge:	Battery Type:	Battery Quantity:	Battery Voltage (total):	Battery Capacity:	Battery Charge Time:
300 mA	60 mA	"D" Cell NiMH	5	6 V nominal	6 A-hr	24 hrs

⚠ Fusing option not available with Marine Outside Type (Salt Water) rating. Fusing option not permitted for cUL.

NEC/CEC Viamaster™ LED Series Luminaires

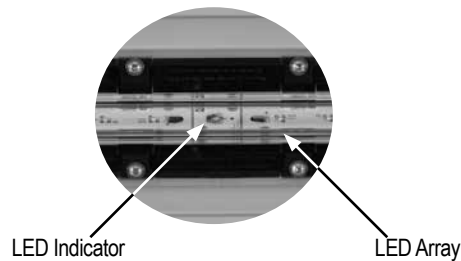
With Emergency Battery Backup
Hazardous Locations

NEC/CEC Emergency Battery Backup Model: Class I, Division 2, Groups A, B, C, D | Class I, Zone 2, Group IIC | Class II, Division 2, Groups F, G | Zone 22, Group IIIB | Class III | Type 3R, 4, 4X | IP66/67 | Suitable for Use in Wet Locations

Automatic Testing System (ATS) — Emergency Battery Backup Model — Functionality

Functional	Full Duration
Starts within 24 to 45 hours after the initial powerup of the module	Starts within 14 to 35 days after the initial power of the module
Occurs every 14 days after the initial aforementioned functional test	Occurs every 364 days after the initial aforementioned functional test
Lasts for 5 minutes	Lasts for the full duration of the rated emergency period

At the completion of functional and full duration tests, LED indicator will display the status of the emergency luminaire when AC is present



LED Signals

Indicator Color	Timing	Description
Green	1 sec ON: 1 sec OFF	Normal charging ok, Battery not yet fully charged, No fault detected, Testing ok
Green	0.25 sec ON: 0.25 sec OFF	Functional / Duration Self-Test on-going
Green	Steady ON	Charging ok, Battery fully charged, No fault detected, Testing ok
Red	1 sec ON: 1 sec OFF	Fault condition. Installation issue. Battery is reverse, not connected or shorted. Functional test failure, full duration test failure
LED Indicators OFF, LED Array ON	LED Indicator Lights (Red and Green) OFF	No AC, Emergency mode ON

⚠ Fusing option not available with Marine Outside Type (Salt Water) rating. Fusing option not permitted for cUL.

NEC/CEC Viamaster™ LED Series Luminaires

Standard or with Emergency Battery Backup


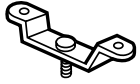


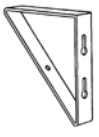


Hazardous Locations

NEC/CEC Standard Model: Class I, Division 2, Groups A, B, C, D | Class I, Zone 2, Group IIC | Class II, Division 2, Groups F, G | Zone 22, Group IIIB | Class III | Type 3R, 4, 4X | IP66/IP67 |

Suitable for Use in Wet Locations | Marine Outside Type - For USA Only ⚡

NEC/CEC Emergency Battery Backup Model: Class I, Division 2, Groups A, B, C, D | Class I, Zone 2, Group IIC | Class II, Division 2, Groups F, G | Zone 22, Group IIIB | Class III | Type 3R, 4, 4X | IP66/67 | Suitable for Use in Wet Locations

Accessories and Replacement Parts — All Models

Description	Weight in kg (lbs)	Catalog Number
Fixing Brackets for Surface Installation — Set of Two		
 316 stainless steel	0.14 (0.3)	FEFBS
Brackets for Surface Mounting — Set of Two		
 Aluminium (gray painted)	0.34 (0.7)	FESBA
 316 stainless steel	0.64 (1.4)	FESBS
 14-gauge stainless steel	0.41 (0.9)	FVSM
Fixed 45° Wall Mount		
 11-gauge (1/8") stainless steel	0.59 (1.3)	FWWFM
Hinged Brackets for Adjusting Luminaire		
 Aluminum	0.75 (1.7)	FEHBA
M8 Ring Bolts — Set of Two		
 Zinc plated steel	0.11 (0.2)	FERBM8Z
Safety Cables — Set of Two		
Attached to fixtures to guard against them falling when the primary method of attachment fails.	0.30 (0.7)	LLEDSC
Replacement Drivers		
120-277 Vac driver (-40 °C to +65 °C [-40 °F to + 149 °F])	0.41 (0.9)	LLEDBU2
Replacement Lenses		
Clear Polycarbonate lens with an integral gasket	0.68 (1.5)	LLEDGPL
Diffused lens with an integral gasket	1.1 (2.4)	LLEDDPL

⚡ Fusing option not available with Marine Outside Type (Salt Water) rating. Fusing option not permitted for cUL.

NEC/CEC Viamaster™ LED Series Luminaires

Standard or with Emergency Battery Backup


Hazardous Locations

NEC/CEC Standard Model: Class I, Division 2, Groups A, B, C, D | Class I, Zone 2, Group IIC | Class II, Division 2, Groups F, G | Zone 22, Group IIIB | Class III | Type 3R, 4, 4X | IP66/IP67 |

Suitable for Use in Wet Locations | Marine Outside Type - For USA Only ⚠

NEC/CEC Emergency Battery Backup Model: Class I, Division 2, Groups A, B, C, D | Class I, Zone 2, Group IIC | Class II, Division 2, Groups F, G | Zone 22, Group IIIB | Class III | Type 3R, 4, 4X | IP66/67 | Suitable for Use in Wet Locations

Accessories and Replacement Parts —Standard Models

	Description	Weight in kg (lbs)	Catalog Number
Half Clamps Brackets for Pole Mounting — Set of two			
	Diameter for 1-1/4 to 1-1/2" pole: 42 mm to 49 mm (1.65 in to 1.93 in)		
	• Zinc plated steel	0.34 (0.7)	FEHC49Z
	• 316 stainless steel	0.34 (0.7)	FEHC49S
	Diameter for 2" pole: 60 mm (2.36 in)		
	• Zinc plated steel	0.48 (1.1)	FEHC60Z
	• 316 stainless steel	0.52 (1.2)	FEHC60S
Replacement Drivers			
	347-480 Vac driver	0.39 (0.9)	LLEDBH

Accessories and Replacement Parts —Emergency Battery Backup Models

	Description	Weight in kg (lbs)	Catalog Number
Replacement Battery Management Module			
		0.7 (1.6)	BMMLED
Replacement Battery Pack			
		0.84 (1.85)	BPLLED

⚠ Fusing option not available with Marine Outside Type (Salt Water) rating. Fusing option not permitted for cUL.

LED Luminaires | Linear | Hazardous Location | NEC/CEC

NEC/CEC Viamaster™ LED Series Luminaires

Standard

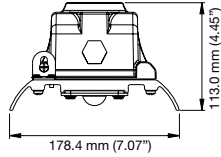
Hazardous Locations

NEC/CEC Standard Model: Class I, Division 2, Groups A, B, C, D | Class I, Zone 2, Group IIC | Class II, Division 2, Groups F, G | Zone 22, Group IIIB | Class III | Type 3R, 4, 4X | IP66/IP67 | Suitable for Use in Wet Locations | Marine Outside Type - For USA Only ⚠

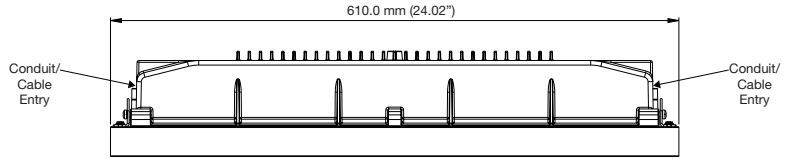
LED Luminaires | Linear | Hazardous Location | NEC / CEC

Luminaire Dimensions in Millimeters (Inches) — Standard Models

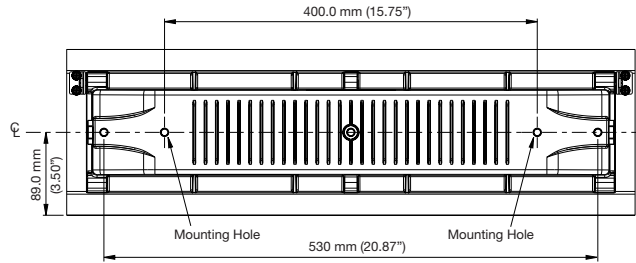
End View — Standard Models — LLED*2 and LLED*5



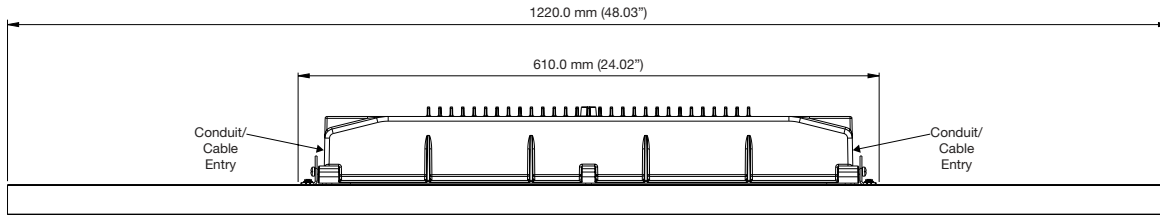
Side View — Standard Models — LLED*2 and LLED*5



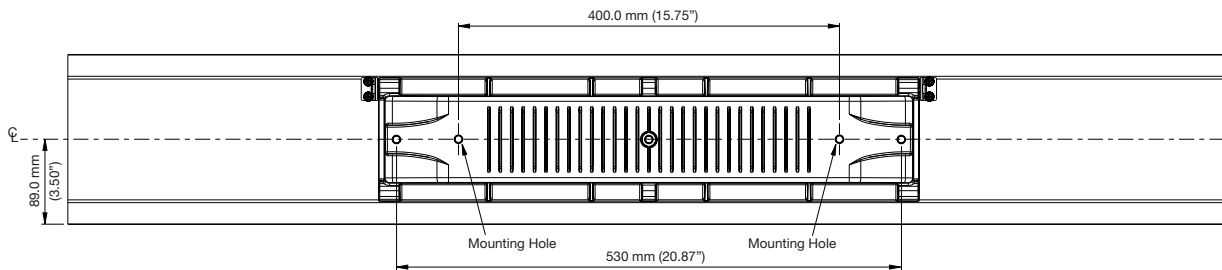
Top (Mounting) View — Standard Models — LLED*2 and LLED*5



Side View — Standard Models — LLED*7



Top (Mounting) View — Standard Models — LLED*7



Luminaire Specifications

Model	Length in m (ft)	Weight in kg (lb)
LLED*2	0.61 m (2 ft)	6.21 (13.7)
LLED*5	0.61 m (2 ft)	6.35 (14.0)
LLED*7	1.22 m (4 ft)	8.69 (19.15)

⚠ Fusing option not available with Marine Outside Type (Salt Water) rating. Fusing option not permitted for cUL.

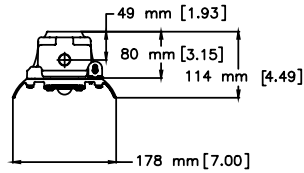
NEC/CEC Viamaster™ LED Series Luminaires

With Emergency Battery Backup
Hazardous Locations

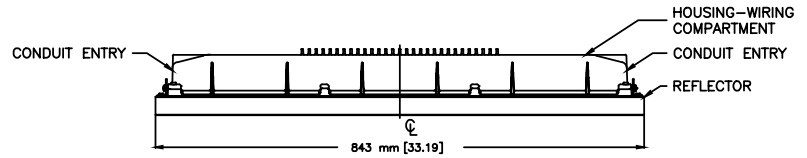
NEC/CEC Emergency Battery Backup Model: Class I, Division 2, Groups A, B, C, D | Class I, Zone 2, Group IIC | Class II, Division 2, Groups F, G | Zone 22, Group IIIB | Class III | Type 3R, 4, 4X | IP66/67 | Suitable for Use in Wet Locations

Luminaire Dimensions in Millimeters (Inches) — Emergency Battery Backup Models

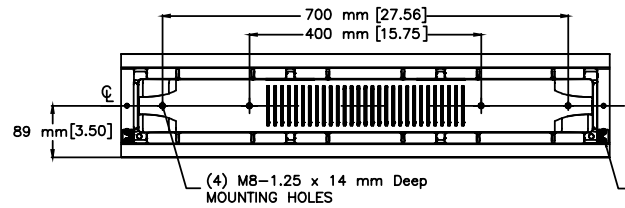
End View — Standard Models — LLED*2 and LLED*5



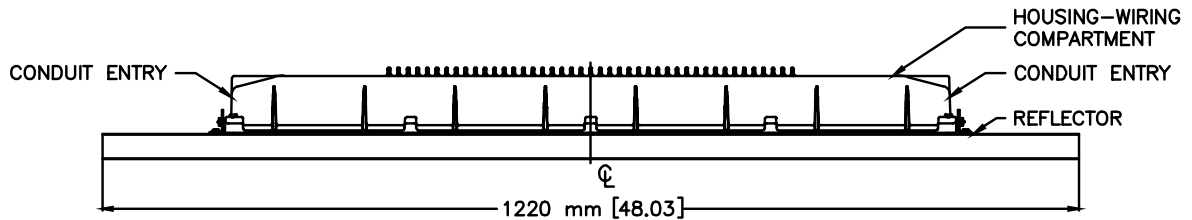
Side View — Standard Models — LLED*2 and LLED*5



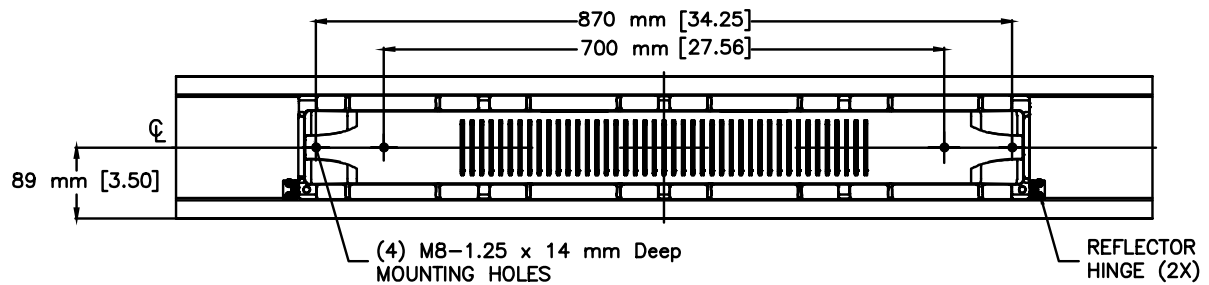
Top (Mounting) View — Standard Models — LLED*2 and LLED*5



Side View — Standard Models — LLED*7



Top (Mounting) View — Standard Models — LLED*7



Luminaire Specifications

Model	Length in m (ft)	Weight in kg (lb)
LLED*2	0.84 m (3 ft)	8.75 (19.30)
LLED*5	0.84 m (3 ft)	8.89 (19.60)
LLED*7	1.22 m (4 ft)	9.07 (20.00)

⚠ Fusing option not available with Marine Outside Type (Salt Water) rating. Fusing option not permitted for cUL.

LED Luminaires | Linear | Hazardous Location | NEC/CEC

NEC/CEC Viamaster™ LED Series Luminaires

Standard or with Emergency Battery Backup
Hazardous Locations

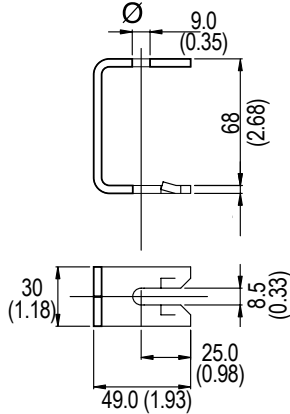
NEC/CEC Standard Model: Class I, Division 2, Groups A, B, C, D | Class I, Zone 2, Group IIC | Class II, Division 2, Groups F, G | Zone 22, Group IIIB | Class III | Type 3R, 4, 4X | IP66/IP67 |

Suitable for Use in Wet Locations | Marine Outside Type - For USA Only ⚠

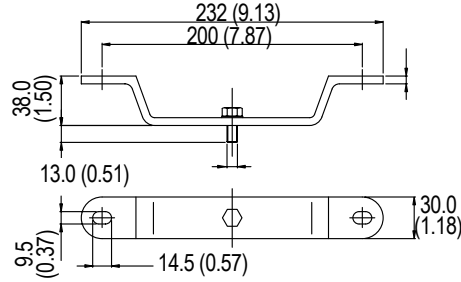
NEC/CEC Emergency Battery Backup Model: Class I, Division 2, Groups A, B, C, D | Class I, Zone 2, Group IIC | Class II, Division 2, Groups F, G | Zone 22, Group IIIB | Class III | Type 3R, 4, 4X | IP66/67 | Suitable for Use in Wet Locations

Mounting Bracket Dimensions in Millimeters (Inches) — All Models

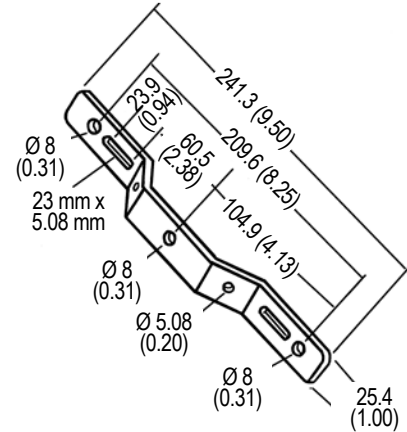
FEFBS



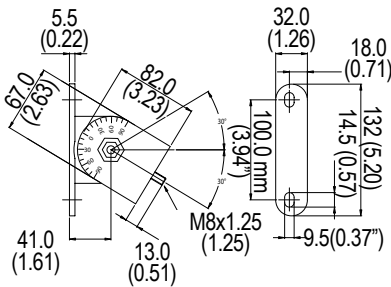
FESBA/FESBS



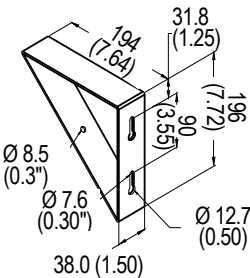
FVSM



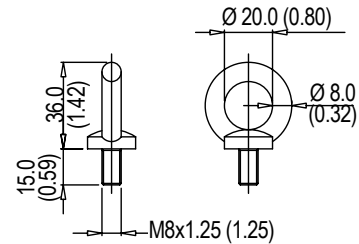
FEHBA



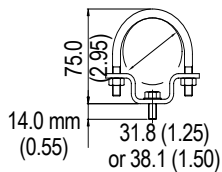
FWWM



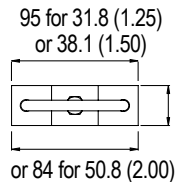
FERBM8Z



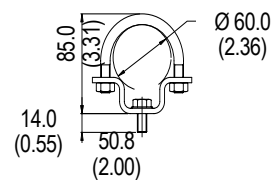
FEHC49Z/FEHC49S



FEHC49Z/FEHC49S/FEHC60Z/FEHC60S



FEHC60Z/FEHC60S



⚠ Fusing option not available with Marine Outside Type (Salt Water) rating. Fusing option not permitted for cUL.

NEC/CEC Viamaster™ LED Series Luminaires

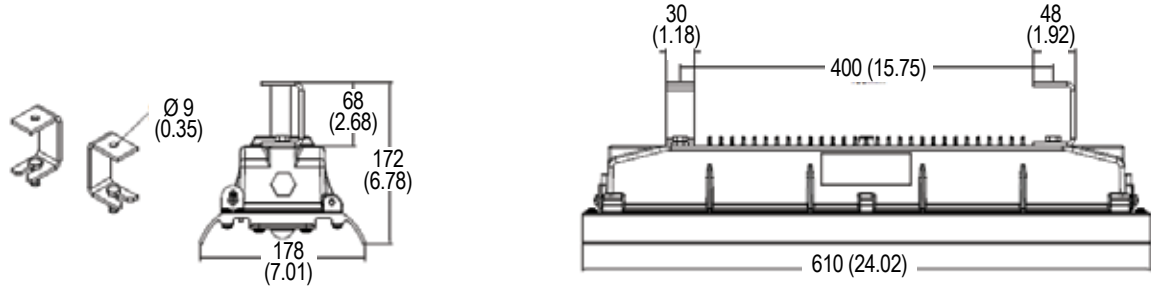
Standard

Hazardous Locations

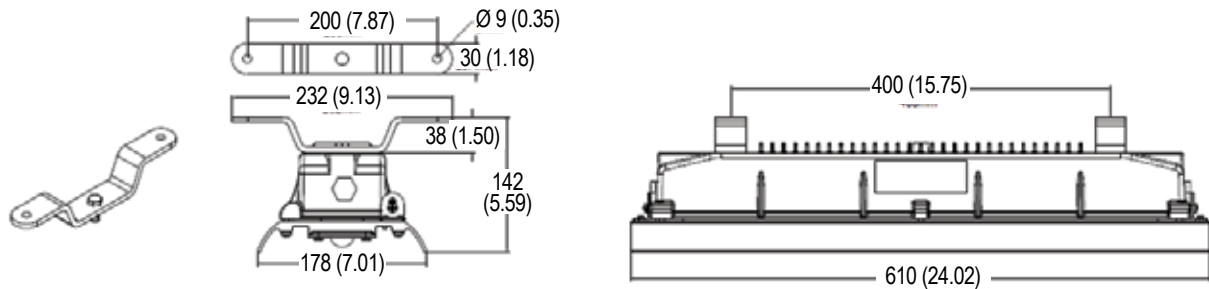
NEC/CEC Standard Model: Class I, Division 2, Groups A, B, C, D | Class I, Zone 2, Group IIC | Class II, Division 2, Groups F, G | Zone 22, Group IIIB | Class III | Type 3R, 4, 4X | IP66/IP67 | Suitable for Use in Wet Locations | Marine Outside Type - For USA Only ⚠

Mounting Options Dimensions in Millimeters (Inches) — Standard Models

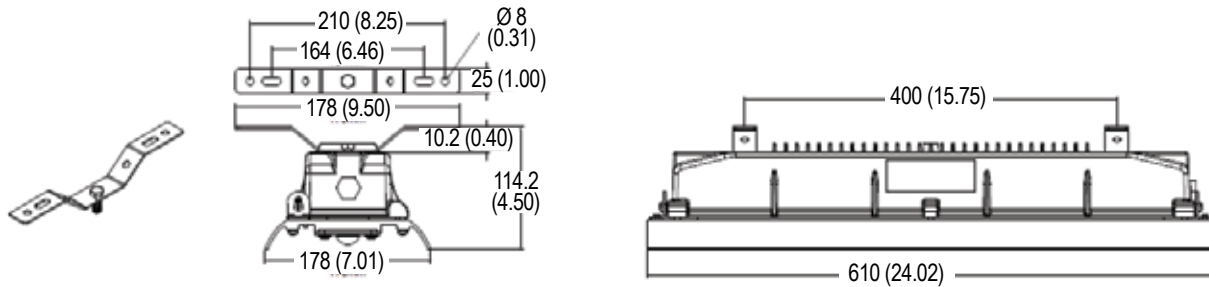
Ceiling/Surface Mount — FEFBS



Ceiling/Surface Mount — FESBA/FESBS



Ceiling/Surface Mount — FVSM



⚠ Fusing option not available with Marine Outside Type (Salt Water) rating. Fusing option not permitted for cUL.

NEC/CEC Viamaster™ LED Series Luminaires

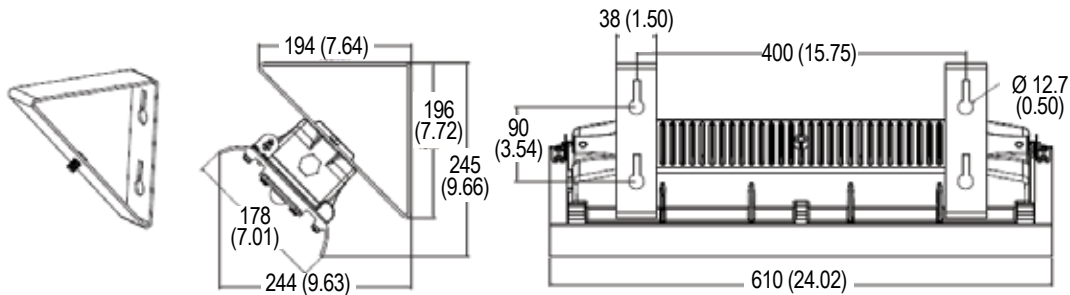
Standard

Hazardous Locations

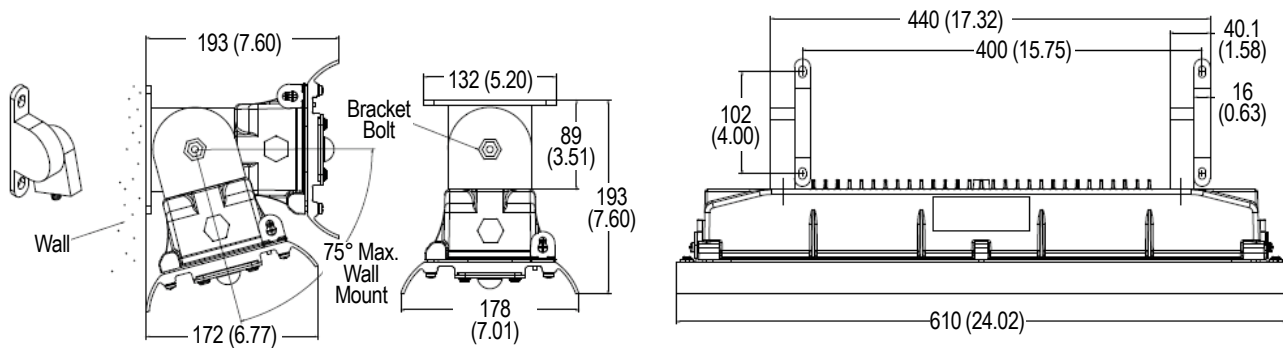
NEC/CEC Standard Model: Class I, Division 2, Groups A, B, C, D | Class I, Zone 2, Group IIC | Class II, Division 2, Groups F, G | Zone 22, Group IIIB | Class III | Type 3R, 4, 4X | IP66/IP67 | Suitable for Use in Wet Locations | Marine Outside Type - For USA Only ⚠

Mounting Options Dimensions in Millimeters (Inches) — Standard Models

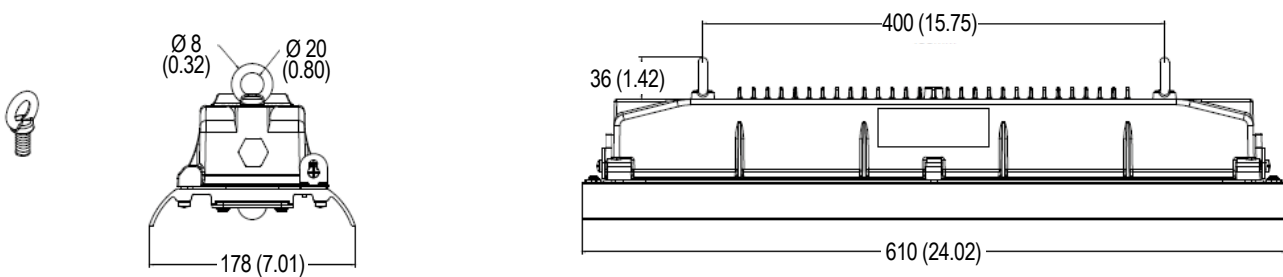
Wall/Fixed 45° Mount — FVWFM



Wall/Hinged Mount — FEHBA



Ceiling/Chain Mount — FERBM8Z



⚠ Fusing option not available with Marine Outside Type (Salt Water) rating. Fusing option not permitted for cUL.

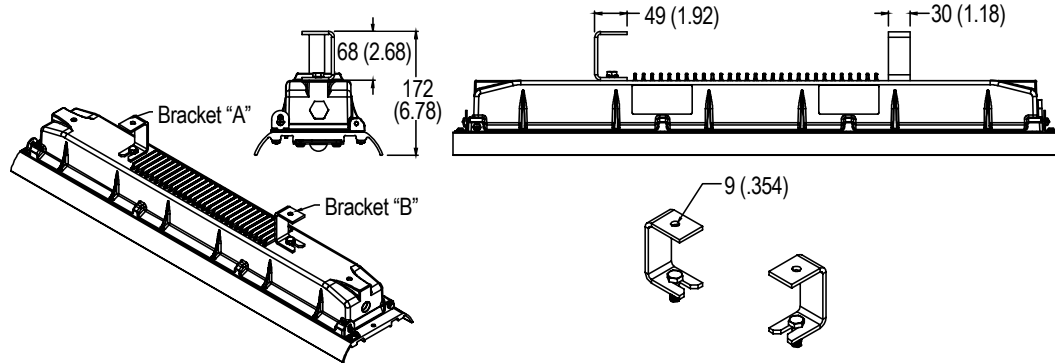
NEC/CEC Viamaster™ LED Series Luminaires

With Emergency Battery Backup
Hazardous Locations

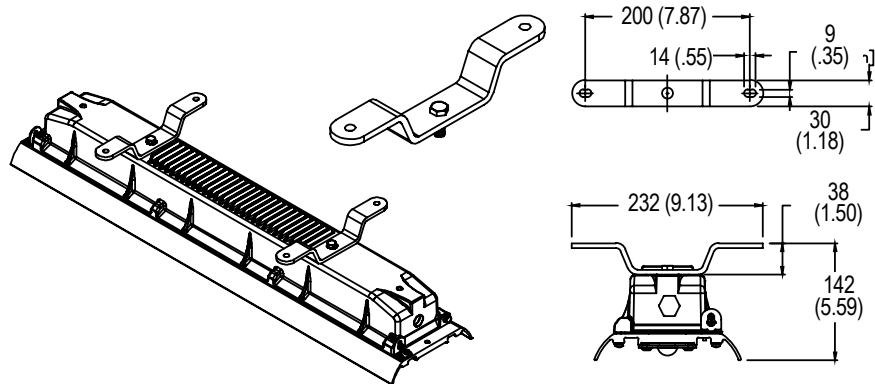
NEC/CEC Emergency Battery Backup Model: Class I, Division 2, Groups A, B, C, D | Class I, Zone 2, Group IIC | Class II, Division 2, Groups F, G | Zone 22, Group IIIB | Class III | Type 3R, 4, 4X | IP66/67 | Suitable for Use in Wet Locations

Mounting Options Dimensions in Millimeters (Inches) — Emergency Battery Backup Models

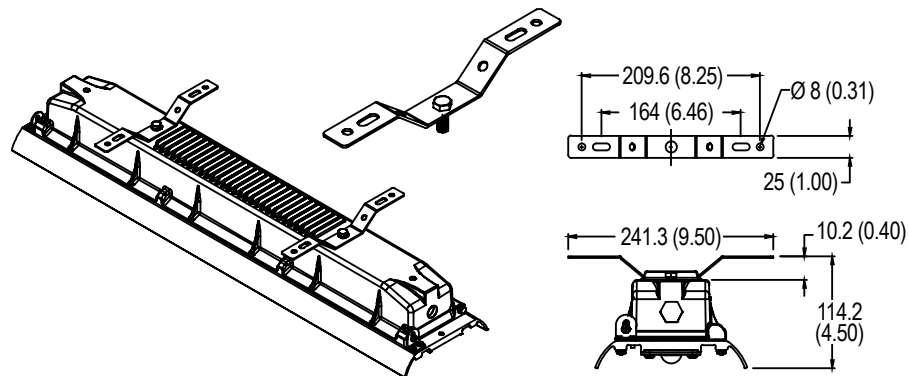
Ceiling/Surface Mount — FEFBS



Ceiling/Surface Mount — FESBA/FESBS



Ceiling/Surface Mount — FVSM



⚠ Fusing option not available with Marine Outside Type (Salt Water) rating. Fusing option not permitted for cUL.

LED Luminaires | Linear | Hazardous Location | NEC/CEC

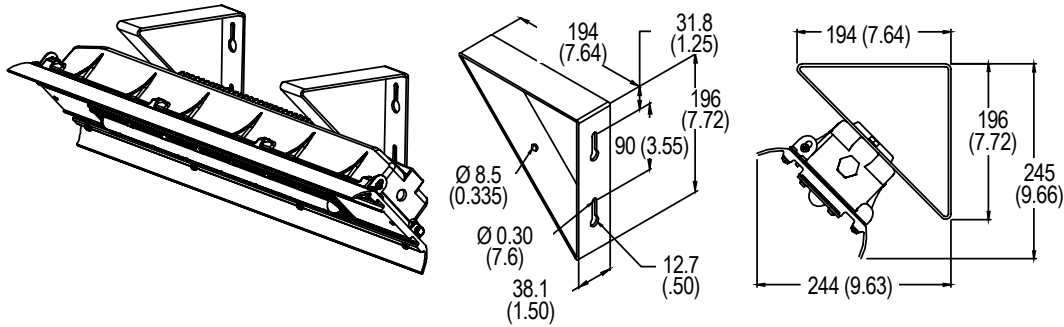
NEC/CEC Viamaster™ LED Series Luminaires

With Emergency Battery Backup
Hazardous Locations

NEC/CEC Emergency Battery Backup Model: Class I, Division 2, Groups A, B, C, D | Class I, Zone 2, Group IIC | Class II, Division 2, Groups F, G | Zone 22, Group IIIB | Class III | Type 3R, 4, 4X | IP66/67 | Suitable for Use in Wet Locations

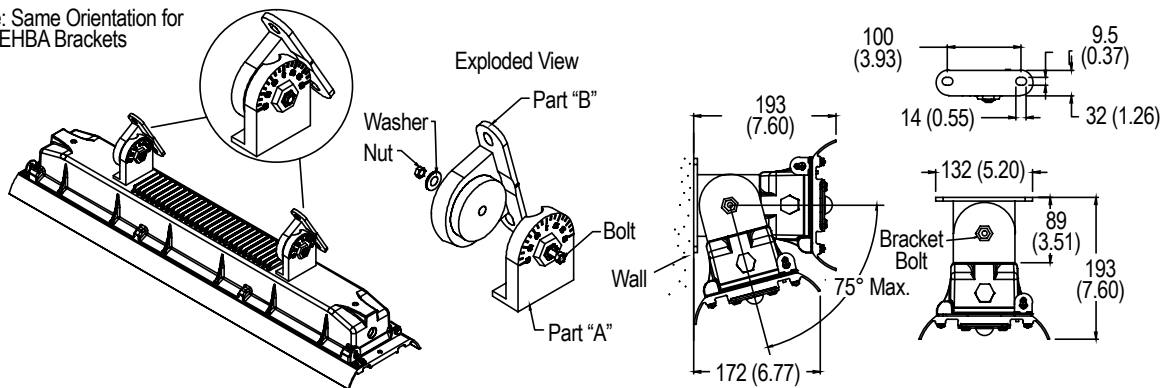
Mounting Options Dimensions in Millimeters (Inches) — Emergency Battery Backup Models

Wall/Fixed 45° Mount — FVWFM

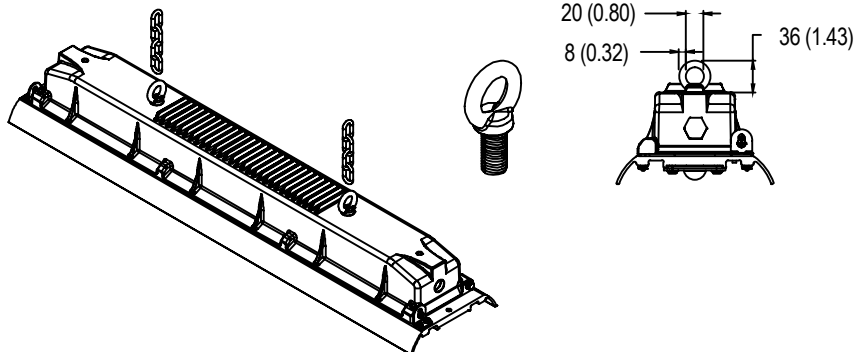


Wall/Hinged Mount — FEHBA

Note: Same Orientation for All FEHBA Brackets



Ceiling/Chain Mount — FERBM8Z



⚠ Fusing option not available with Marine Outside Type (Salt Water) rating. Fusing option not permitted for cUL.

NEC/CEC Viamaster™ LED Series Luminaires

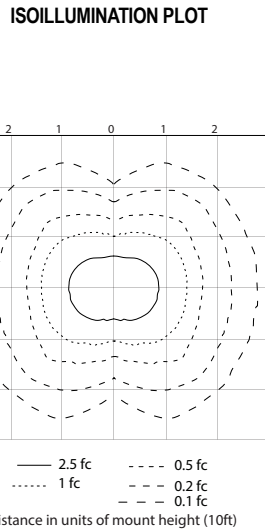
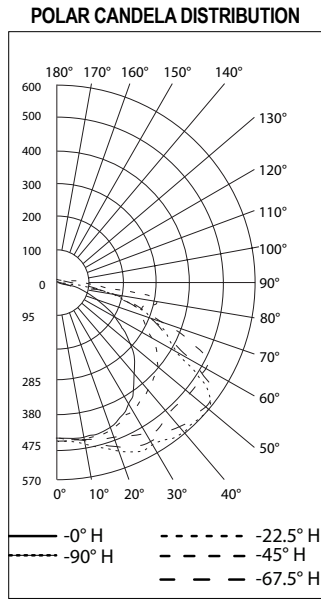
Standard

Hazardous Locations

NEC/CEC Standard Model: Class I, Division 2, Groups A, B, C, D | Class I, Zone 2, Group IIC | Class II, Division 2, Groups F, G | Zone 22, Group IIIB | Class III | Type 3R, 4, 4X | IP66/IP67 | Suitable for Use in Wet Locations | Marine Outside Type - For USA Only ☒

Photometric Data — DATA SHOWN IS ABSOLUTE

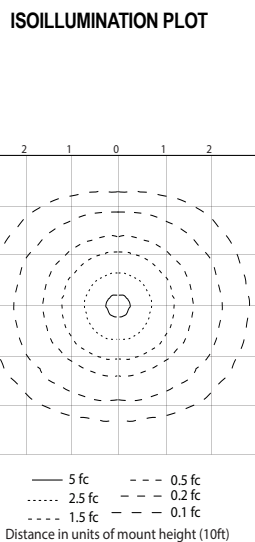
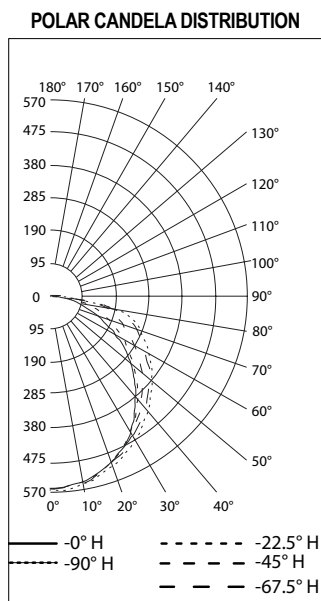
LLEDA12LU2 with Clear Polycarbonate Lens



ZONAL LUMENS AND PERCENTAGES AT 25°C

Zone	Lumens	% Luminaire	Zone	Lumens	% Luminaire
0-30	424.1	20.2	0-10	46.7	2.2
0-40	741.2	35.4	10-20	140.9	6.7
0-60	1521	72.6	20-30	236.4	11.3
60-90	573.3	27.4	30-40	317.2	15.1
0-90	2094	100.0	40-50	378.4	18.1
90-180	0.3	0.0	50-60	401.5	19.2
0-180	2095	100.0	60-70	324.6	15.5
			70-80	209.6	10.0
			80-90	39.1	1.9
			90-100	0.3	0.0

LLEDA12LU2D with Diffused Polycarbonate Lens



ZONAL LUMENS AND PERCENTAGES AT 25°C

Zone	Lumens	% Luminaire	Zone	Lumens	% Luminaire
0-30	429.7	24.6	0-10	52.8	3.0
0-40	702.7	40.3	10-20	150.5	8.6
0-60	1264	72.4	20-30	226.5	13.0
60-90	482.0	27.6	30-40	272.9	15.6
0-90	1746	100.0	40-50	287.4	16.5
90-180	0.0	0.0	50-60	273.6	15.7
0-180	1746	100.0	60-70	236.9	13.6
			70-80	183.1	10.5
			80-90	62.1	3.6

☒ Fusing option not available with Marine Outside Type (Salt Water) rating. Fusing option not permitted for cUL.

LED Luminaires | Linear | Hazardous Location | NEC/CEC

NEC/CEC Viamaster™ LED Series Luminaires

Standard

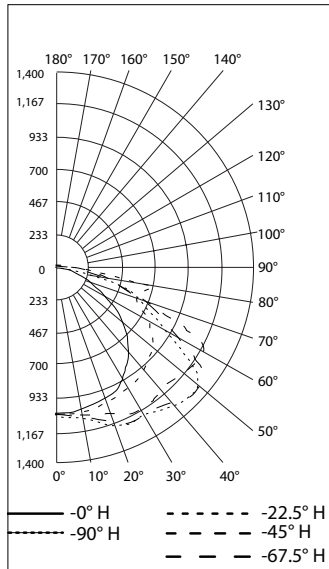
Hazardous Locations

NEC/CEC Standard Model: Class I, Division 2, Groups A, B, C, D | Class I, Zone 2, Group IIC | Class II, Division 2, Groups F, G | Zone 22, Group IIIB | Class III | Type 3R, 4, 4X | IP66/IP67 | Suitable for Use in Wet Locations | Marine Outside Type - For USA Only ☼

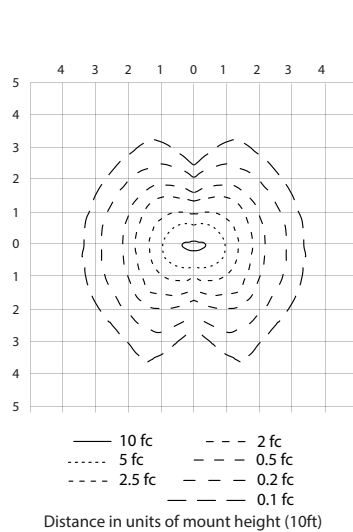
Photometric Data — DATA SHOWN IS ABSOLUTE

LLEDA15LU2 with Clear Polycarbonate Lens

POLAR CANDELA DISTRIBUTION



ISOILLUMINATION PLOT

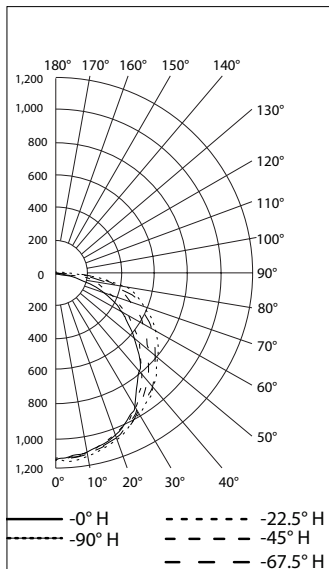


ZONAL LUMENS AND PERCENTAGES AT 25°C

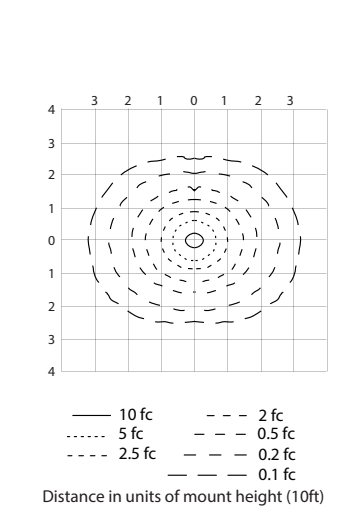
Zone	Lumens	% Luminaire	Zone	Lumens	% Luminaire
0-30	912.8	20.3	0-10	100.4	2.2
0-40	1593	35.5	10-20	303.6	6.8
0-60	3282	73.0	20-30	508.8	11.3
60-90	1206	26.8	30-40	680.0	15.1
0-90	4488	99.9	40-50	822.5	18.3
90-180	4.5	0.1	50-60	866.3	19.3
0-180	4492	100.0	60-70	682.0	15.2
			70-80	438.3	9.8
			80-90	85.9	1.9
			90-100	4.2	0.1
			100-110	0.3	0.0

LLEDA15LU2D with Diffused Polycarbonate Lens

POLAR CANDELA DISTRIBUTION



ISOILLUMINATION PLOT



ZONAL LUMENS AND PERCENTAGES AT 25°C

Zone	Lumens	% Luminaire	Zone	Lumens	% Luminaire
0-30	884.1	24.3	0-10	108.2	3.0
0-40	1450	39.8	10-20	308.9	8.5
0-60	2618	71.9	20-30	467.0	12.8
60-90	1017	27.9	30-40	565.5	15.5
0-90	3635	99.8	40-50	598.1	16.4
90-180	7.9	0.2	50-60	570.3	15.7
0-180	3643	100.0	60-70	494.4	13.6
			70-80	382.9	10.5
			80-90	139.8	3.8
			90-100	7.4	0.2
			100-110	0.5	0.0

☼ Fusing option not available with Marine Outside Type (Salt Water) rating. Fusing option not permitted for cUL.

NEC/CEC Viamaster™ LED Series Luminaires

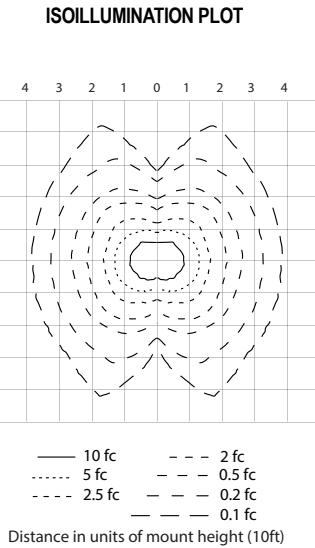
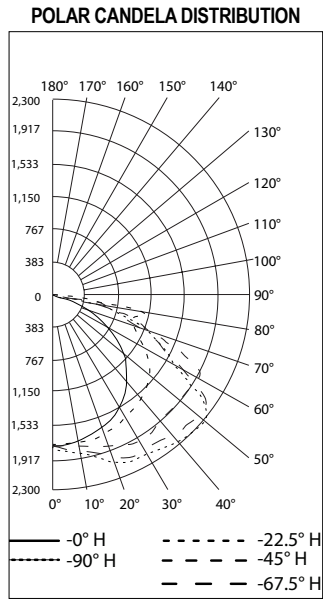
Standard

Hazardous Locations

NEC/CEC Standard Model: Class I, Division 2, Groups A, B, C, D | Class I, Zone 2, Group IIC | Class II, Division 2, Groups F, G | Zone 22, Group IIIB | Class III | Type 3R, 4, 4X | IP66/IP67 | Suitable for Use in Wet Locations | Marine Outside Type - For USA Only ⌘

Photometric Data — DATA SHOWN IS ABSOLUTE

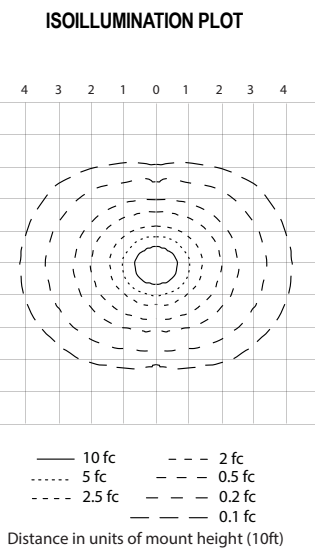
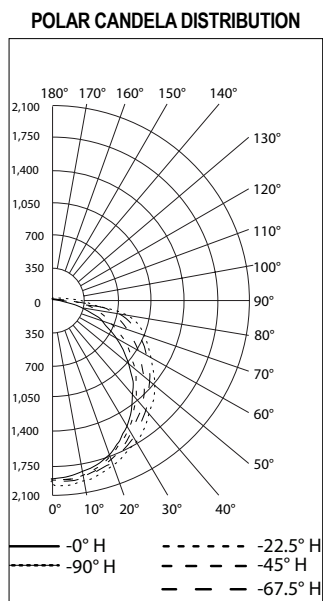
LLEDA17LU2 with Clear Polycarbonate Lens



ZONAL LUMENS AND PERCENTAGES AT 25°C

Zone	Lumens	% Luminaire	Zone	Lumens	% Luminaire
0-30	1560	20.0	0-10	170.7	2.2
0-40	2728	34.9	10-20	518.4	6.6
0-60	5631	72.1	20-30	870.5	11.2
60-90	2171	27.8	30-40	1168	15.0
0-90	7802	100.0	40-50	1406	18.0
90-180	2.8	0.0	50-60	1497	19.2
0-180	7805	100.0	60-70	1229	15.7
			70-80	785.7	10.1
			80-90	156.6	2.0
			90-100	2.7	0.0
			100-110	0.3	0.0

LLEDA17LU2D with Diffused Polycarbonate Lens



ZONAL LUMENS AND PERCENTAGES AT 25°C

Zone	Lumens	% Luminaire	Zone	Lumens	% Luminaire
0-30	1518	24.1	0-10	185.3	2.9
0-40	2494	39.5	10-20	529.7	8.4
0-60	4528	71.8	20-30	802.9	12.7
60-90	1775	28.1	30-40	976.2	15.5
0-90	6303	99.9	40-50	1038	16.5
90-180	3.4	0.1	50-60	995.8	15.8
0-180	6307	100.0	60-70	868.1	13.8
			70-80	673.7	10.7
			80-90	233.4	3.7
			90-100	3.4	0.1
			100-110	0.5	0.0

⌘ Fusing option not available with Marine Outside Type (Salt Water) rating. Fusing option not permitted for cUL.

LED Luminaires | Linear | Hazardous Location | NEC/CEC

NEC/CEC Viamaster™ LED Series Luminaires

With Emergency Battery Backup

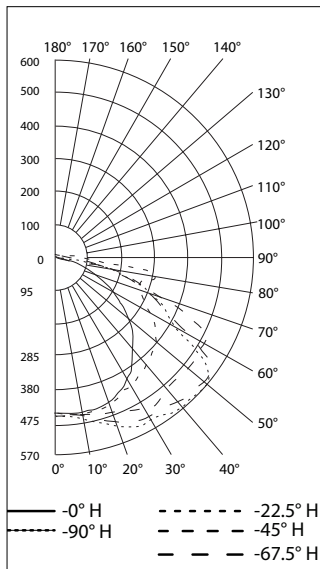
Hazardous Locations

NEC/CEC Emergency Battery Backup Model: Class I, Division 2, Groups A, B, C, D | Class I, Zone 2, Group IIC | Class II, Division 2, Groups F, G | Zone 22, Group IIIB | Class III | Type 3R, 4, 4X | IP66/67 | Suitable for Use in Wet Locations

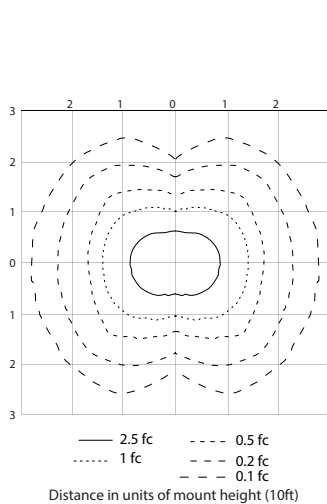
Photometric Data — DATA SHOWN IS ABSOLUTE

LLEDA12LU2H with Clear Polycarbonate Lens — Standard Mode

POLAR CANDELA DISTRIBUTION



ISOILLUMINATION PLOT

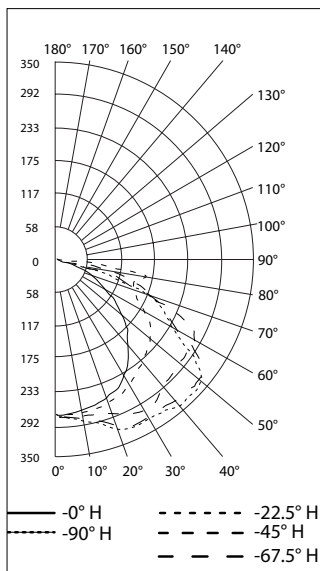


ZONAL LUMENS AND PERCENTAGES AT 25°C

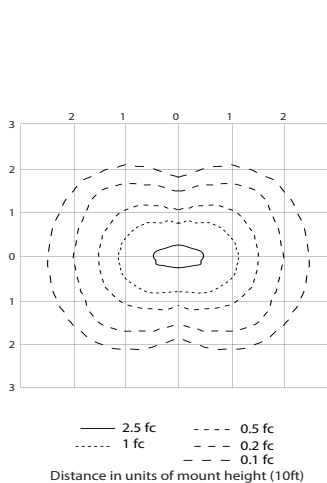
Zone	Lumens	% Luminaire	Zone	Lumens	% Luminaire
0-30	424.1	20.2	0-10	46.7	2.2
0-40	741.2	35.4	10-20	140.9	6.7
0-60	1521	72.6	20-30	236.4	11.3
60-90	573.3	27.4	30-40	317.2	15.1
0-90	2094	100.0	40-50	378.4	18.1
90-180	0.3	0.0	50-60	401.5	19.2
0-180	2095	100.0	60-70	324.6	15.5
			70-80	209.6	10.0
			80-90	39.1	1.9
			90-100	0.3	0.0
			100-110	0.3	0.0

LLEDA12LU2H with Clear Polycarbonate Lens — Emergency Mode

POLAR CANDELA DISTRIBUTION



ISOILLUMINATION PLOT



ZONAL LUMENS AND PERCENTAGES AT 25°C

Zone	Lumens	% Luminaire	Zone	Lumens	% Luminaire
0-30	243.3	20.3	0-10	26.8	2.2
0-40	423.5	35.3	10-20	80.9	6.7
0-60	863.5	71.9	20-30	135.6	11.3
60-90	337.3	28.1	30-40	180.3	15.0
0-90	1201	100.0	40-50	213.9	17.8
90-180	0.1	0.0	50-60	226.0	18.8
0-180	1201	100.0	60-70	188.3	15.7
			70-80	123.1	10.2
			80-90	26.0	2.2
			90-100	0.1	0.0

⚠ Fusing option not available with Marine Outside Type (Salt Water) rating. Fusing option not permitted for cUL.

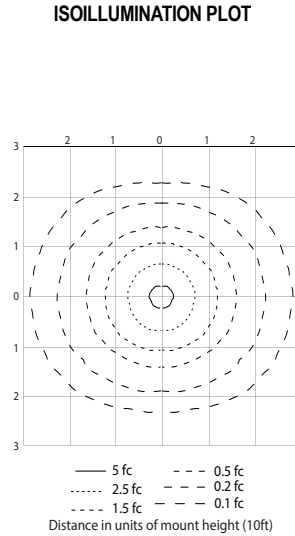
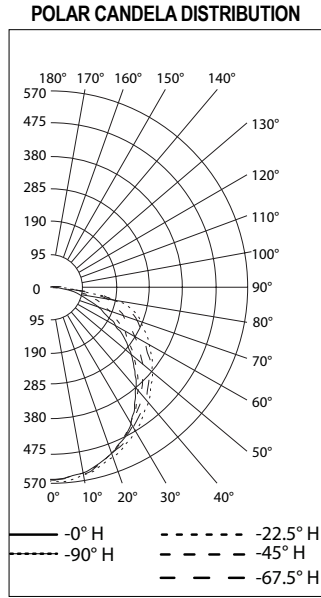
NEC/CEC Viamaster™ LED Series Luminaires

With Emergency Battery Backup
Hazardous Locations

NEC/CEC Emergency Battery Backup Model: Class I, Division 2, Groups A, B, C, D | Class I, Zone 2, Group IIC | Class II, Division 2, Groups F, G | Zone 22, Group IIIB | Class III | Type 3R, 4, 4X | IP66/67 | Suitable for Use in Wet Locations

Photometric Data — DATA SHOWN IS ABSOLUTE

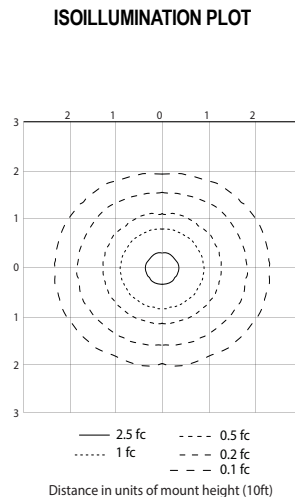
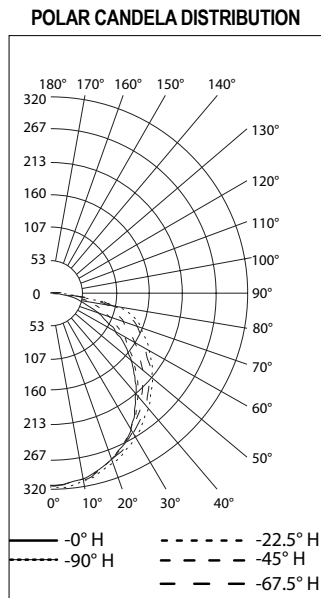
LLEDA12LU2DH with Diffused Polycarbonate Lens — Standard Mode



ZONAL LUMENS AND PERCENTAGES AT 25°C

Zone	Lumens	% Luminaire	Zone	Lumens	% Luminaire
0-30	429.7	24.6	0-10	52.8	3.0
0-40	702.7	40.3	10-20	150.5	8.6
0-60	1264	72.4	20-30	226.5	13.0
60-90	482.0	27.6	30-40	272.9	15.6
0-90	1746	100.0	40-50	287.4	16.5
90-180	0.0	0.0	50-60	273.6	15.7
0-180	1746	100.0	60-70	236.9	13.6
			70-80	183.1	10.5
			80-90	62.1	3.6
			90-100	0.3	0.0

LLEDA12LU2DH with Diffused Polycarbonate Lens — Emergency Mode



ZONAL LUMENS AND PERCENTAGES AT 25°C

Zone	Lumens	% Luminaire	Zone	Lumens	% Luminaire
0-30	239.3	24.6	0-10	29.4	3.0
0-40	391.3	40.2	10-20	83.8	8.6
0-60	704.3	72.4	20-30	126.1	13.0
60-90	268.1	27.6	30-40	152.0	15.6
0-90	972.3	100.0	40-50	160.4	16.5
90-180	0.0	0.0	50-60	152.6	15.7
0-180	972.4	100.0	60-70	132.2	13.6
			70-80	102.2	10.5
			80-90	33.6	3.5
			90-100	0.1	0.0

⚠ Fusing option not available with Marine Outside Type (Salt Water) rating. Fusing option not permitted for cUL.

NEC/CEC Viamaster™ LED Series Luminaires

With Emergency Battery Backup

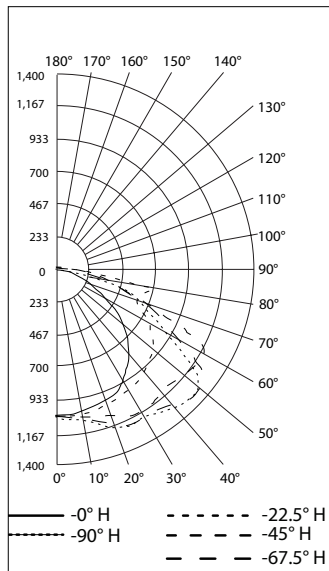
Hazardous Locations

NEC/CEC Emergency Battery Backup Model: Class I, Division 2, Groups A, B, C, D | Class I, Zone 2, Group IIC | Class II, Division 2, Groups F, G | Zone 22, Group IIIB | Class III | Type 3R, 4, 4X | IP66/67 | Suitable for Use in Wet Locations

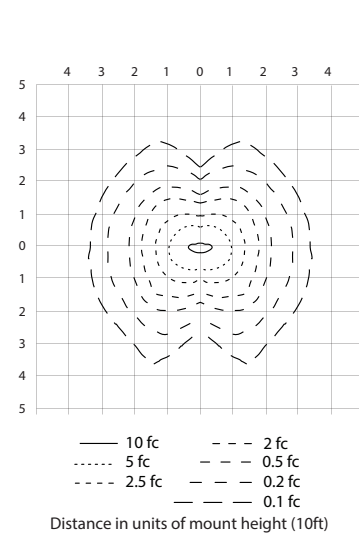
Photometric Data — DATA SHOWN IS ABSOLUTE

LLEDA15LU2H with Clear Polycarbonate Lens — Standard Mode

POLAR CANDELA DISTRIBUTION



ISOILLUMINATION PLOT

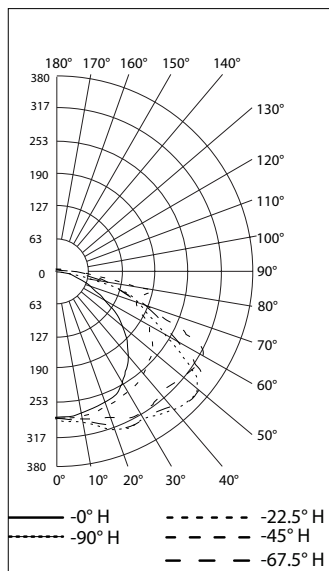


ZONAL LUMENS AND PERCENTAGES AT 25°C

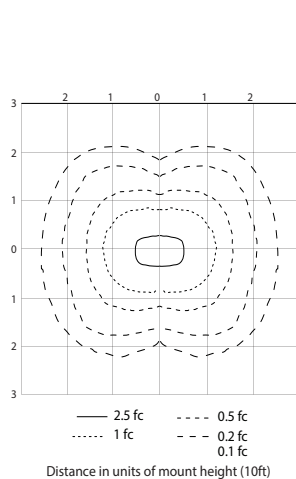
Zone	Lumens	% Luminaire	Zone	Lumens	% Luminaire
0-30	912.8	20.3	0-10	100.4	2.2
0-40	1593	35.5	10-20	303.6	6.8
0-60	3282	73.0	20-30	508.8	11.3
60-90	1206	26.8	30-40	680.0	15.1
0-90	4488	99.9	40-50	822.5	18.3
90-180	4.5	0.1	50-60	866.3	19.3
0-180	4492	100.0	60-70	682.0	15.2
			70-80	438.3	9.8
			80-90	85.9	1.9
			90-100	4.2	0.1
			100-110	0.3	0.0

LLEDA15LU2H with Clear Polycarbonate Lens — Emergency Mode

POLAR CANDELA DISTRIBUTION



ISOILLUMINATION PLOT



ZONAL LUMENS AND PERCENTAGES AT 25°C

Zone	Lumens	% Luminaire	Zone	Lumens	% Luminaire
0-30	260.7	19.9	0-10	28.7	2.2
0-40	455.2	34.7	10-20	86.6	6.6
0-60	939.1	71.6	20-30	145.4	11.1
60-90	371.6	28.3	30-40	194.4	14.8
0-90	1311	100.0	40-50	233.1	17.8
90-180	0.4	0.0	50-60	250.8	19.1
0-180	1311	100.0	60-70	209.7	16.0
			70-80	133.0	10.1
			80-90	28.9	2.2
			90-100	0.4	0.0

⚠ Fusing option not available with Marine Outside Type (Salt Water) rating. Fusing option not permitted for cUL.

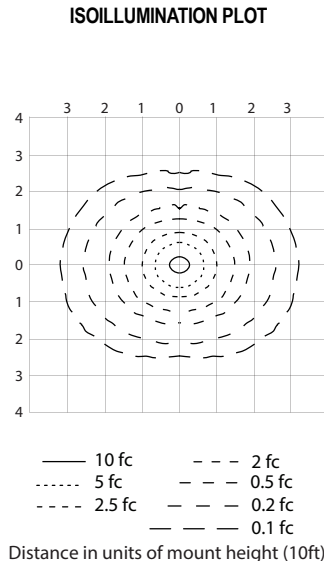
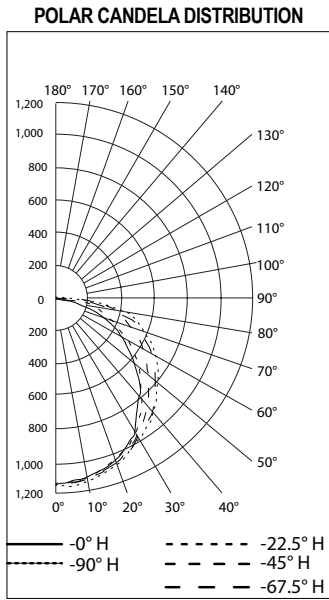
NEC/CEC Viamaster™ LED Series Luminaires

With Emergency Battery Backup
Hazardous Locations

NEC/CEC Emergency Battery Backup Model: Class I, Division 2, Groups A, B, C, D | Class I, Zone 2, Group IIC | Class II, Division 2, Groups F, G | Zone 22, Group IIIB | Class III | Type 3R, 4, 4X | IP66/67 | Suitable for Use in Wet Locations

Photometric Data — DATA SHOWN IS ABSOLUTE

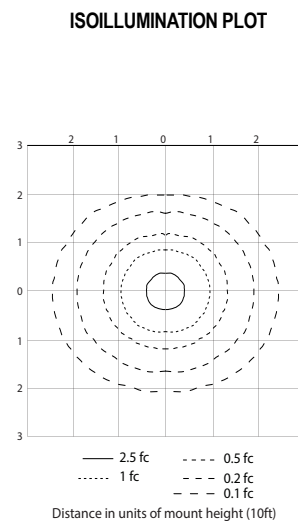
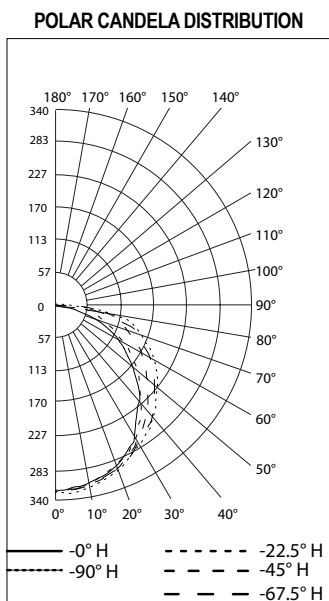
LLEDA15LU2DH with Diffused Polycarbonate Lens — Standard Mode



ZONAL LUMENS AND PERCENTAGES AT 25°C

Zone	Lumens	% Luminaire	Zone	Lumens	% Luminaire
0-30	884.1	24.3	0-10	108.2	3.0
0-40	1450	39.8	10-20	308.9	8.5
0-60	2618	71.9	20-30	467.0	12.8
60-90	1017	27.9	30-40	565.5	15.5
0-90	3635	99.8	40-50	598.1	16.4
90-180	7.9	0.2	50-60	570.3	15.7
0-180	3643	100.0	60-70	494.4	13.6
			70-80	382.9	10.5
			80-90	139.8	3.8
			90-100	7.4	0.2
			100-110	0.5	0.0

LLEDA15LU2DH with Diffused Polycarbonate Lens — Emergency Mode



ZONAL LUMENS AND PERCENTAGES AT 25°C

Zone	Lumens	% Luminaire	Zone	Lumens	% Luminaire
0-30	256.6	24.2	0-10	31.4	3.0
0-40	421.3	39.8	10-20	89.6	8.5
0-60	763.1	72.1	20-30	135.6	12.8
60-90	295.6	27.9	30-40	164.7	15.6
0-90	1059	100.0	40-50	174.6	16.5
90-180	0.3	0.0	50-60	167.1	15.8
0-180	1059	100.0	60-70	145.4	13.7
			70-80	112.5	10.6
			80-90	37.7	3.6
			90-100	0.3	0.0

⚠ Fusing option not available with Marine Outside Type (Salt Water) rating. Fusing option not permitted for cUL.

LED Luminaires | Linear | Hazardous Location | NEC/CEC

NEC/CEC Viamaster™ LED Series Luminaires

With Emergency Battery Backup

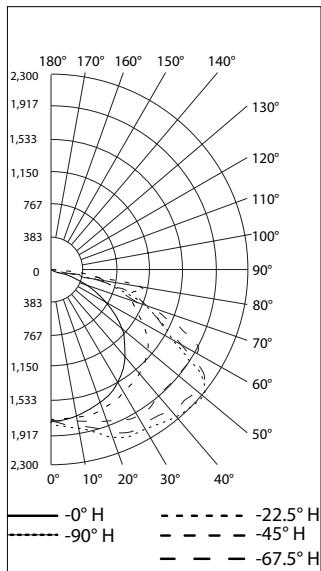
Hazardous Locations

NEC/CEC Emergency Battery Backup Model: Class I, Division 2, Groups A, B, C, D | Class I, Zone 2, Group IIC | Class II, Division 2, Groups F, G | Zone 22, Group IIIB | Class III | Type 3R, 4, 4X | IP66/67 | Suitable for Use in Wet Locations

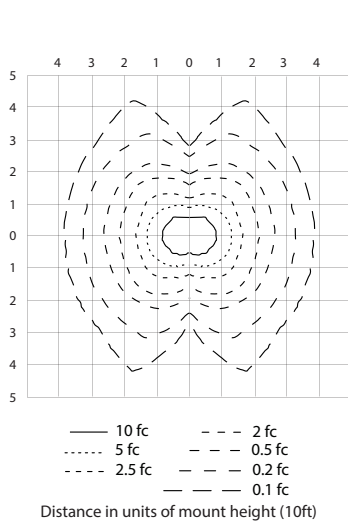
Photometric Data — DATA SHOWN IS ABSOLUTE

LLEDA17LU2H with Clear Polycarbonate Lens — Standard Mode

POLAR CANDELA DISTRIBUTION



ISOILLUMINATION PLOT

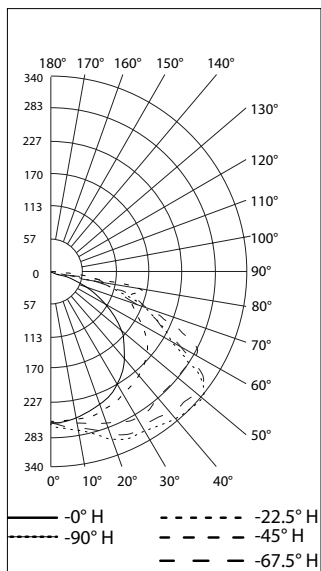


ZONAL LUMENS AND PERCENTAGES AT 25°C

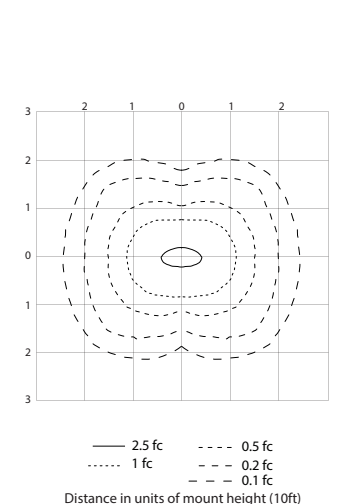
Zone	Lumens	% Luminaire	Zone	Lumens	% Luminaire
0-30	1560	20.0	0-10	170.7	2.2
0-40	2728	34.9	10-20	518.4	6.6
0-60	5631	72.1	20-30	870.5	11.2
60-90	2171	27.8	30-40	1168	15.0
0-90	7802	100.0	40-50	1406	18.0
90-180	2.8	0.0	50-60	1497	19.2
0-180	7805	100.0	60-70	1229	15.7
			70-80	785.7	10.1
			80-90	156.6	2.0
			90-100	2.7	0.0

LLEDA17LU2H with Clear Polycarbonate Lens — Emergency Mode

POLAR CANDELA DISTRIBUTION



ISOILLUMINATION PLOT



ZONAL LUMENS AND PERCENTAGES AT 25°C

Zone	Lumens	% Luminaire	Zone	Lumens	% Luminaire
0-30	234.0	19.9	0-10	25.7	2.2
0-40	408.1	34.7	10-20	77.9	6.6
0-60	840.6	71.4	20-30	130.4	11.1
60-90	335.1	28.5	30-40	174.0	14.8
0-90	1176	99.9	40-50	208.6	17.7
90-180	1.0	0.1	50-60	223.9	19.0
0-180	1177	100.0	60-70	186.3	15.8
			70-80	121.0	10.3
			80-90	27.9	2.4
			90-100	1.0	0.1

⚠ Fusing option not available with Marine Outside Type (Salt Water) rating. Fusing option not permitted for cUL.

NEC/CEC Viamaster™ LED Series Luminaires

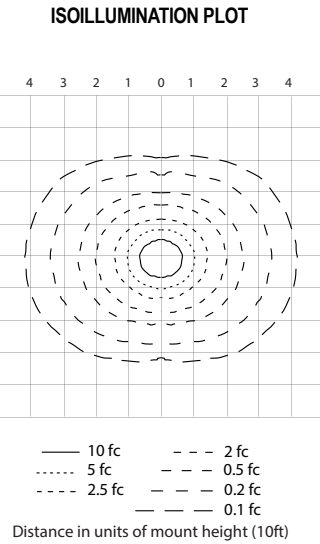
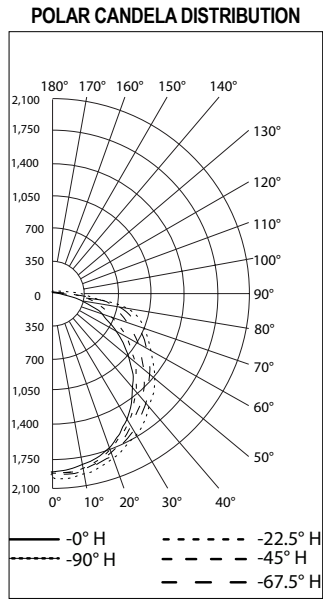
With Emergency Battery Backup

Hazardous Locations

NEC/CEC Emergency Battery Backup Model: Class I, Division 2, Groups A, B, C, D | Class I, Zone 2, Group IIC | Class II, Division 2, Groups F, G | Zone 22, Group IIIB | Class III | Type 3R, 4, 4X | IP66/67 | Suitable for Use in Wet Locations

Photometric Data — DATA SHOWN IS ABSOLUTE

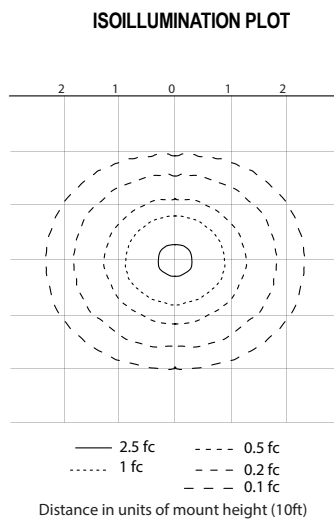
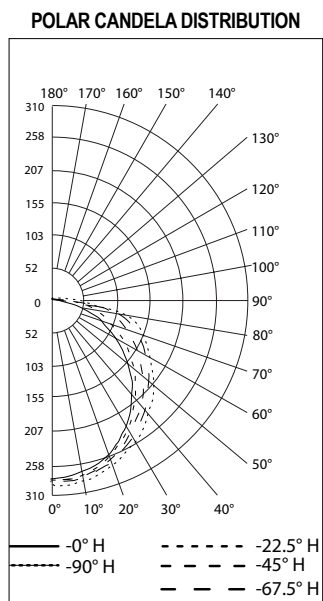
LLEDA17LU2DH with Diffused Polycarbonate Lens — Standard Mode



ZONAL LUMENS AND PERCENTAGES AT 25°C

Zone	Lumens	% Luminaire	Zone	Lumens	% Luminaire
0-30	1518	24.1	0-10	185.3	2.9
0-40	2494	39.5	10-20	529.7	8.4
0-60	4528	71.8	20-30	802.9	12.7
60-90	1775	28.1	30-40	976.2	15.5
0-90	6303	99.9	40-50	1038	16.5
90-180	3.4	0.1	50-60	995.8	15.8
0-180	6307	100.0	60-70	868.1	13.8
			70-80	673.7	10.7
			80-90	233.4	3.7
			90-100	3.4	0.1
			100-110	0.5	0.0

LLEDA17LU2DH with Diffused Polycarbonate Lens — Emergency Mode



ZONAL LUMENS AND PERCENTAGES AT 25°C

Zone	Lumens	% Luminaire	Zone	Lumens	% Luminaire
0-30	232.0	24.2	0-10	28.4	3.0
0-40	380.8	39.7	10-20	81.0	8.4
0-60	690.0	71.9	20-30	122.6	12.8
60-90	269.3	28.1	30-40	148.8	15.5
0-90	959.4	99.9	40-50	157.9	16.5
90-180	0.7	0.1	50-60	151.3	15.8
0-180	960.1	100.0	60-70	131.9	13.7
			70-80	102.4	10.7
			80-90	35.0	3.6
			90-100	0.7	0.1

⚠ Fusing option not available with Marine Outside Type (Salt Water) rating. Fusing option not permitted for cUL.